

DIVERSIFIED METAL FABRICATORS, INC.



**Installation and
Parts & Service Manual
RW-1420**



July 2005

SERIAL NUMBER (FRONT) _____

SERIAL NUMBER (REAR) _____

NOTE:

Please refer to the serial numbers when ordering parts or
inquiring about warranty items.

DMF ♦ 665 Pylant Street ♦ Atlanta, Georgia 30306
Parts (404) 607-1684
Phone (404) 875-1512 ♦ Fax (404) 875-4835
<http://www.dmfatlanta.com>

TABLE OF CONTENTS

Table of Contents	2
Set-Up	4
I. Pre-Installation	4
II. "ABS" Brake System.....	6
III. Initial Instructions.....	7
1.0 Railgear Components & General Information	8
1.1 Front Railgear.....	8
1.2 Rear Railgear.....	9
1.3 Railgear Installation Rails	10
1.4 Preliminary Installation	11
2.0 Hydraulic System Connection	12
2.1 New Hydraulic System	12
2.2 Hydraulic System with Brakes.....	13
2.3 Hydraulic Brakes Only.....	13
Drawing: Hydraulic System (Old Style).....	14
Drawing: Hydraulic System (New Style)	15
Drawing: Brake Valve Manifold Assembly.....	16
Drawing: Valve Assemblies & Hydraulic Schematic.....	17
3.0 Front Railgear Installation	18
3.1 Front Railgear.....	18
3.2 Align Front Railgear	21
3.3 Final Front Installation	23
Drawing: Front Railgear Assembly	24
Drawing: Front Wheel & Axle Assembly I	25
Drawing: Front Wheel & Axle Assembly II	26
Drawing: RW-1420 Wheel – Exploded View.....	27
Drawing: RW-1420 Wheels – Identification Chart.....	28
Drawing: Front Hydraulic Cylinders	29
4.0 Rear Railgear Installation	30
4.1 Location of Rear Railgear.....	30
4.2 Spacer Installation	32
4.3 Square Rear Railroader with Truck Axle.....	34
4.4 Final Rear Installation	35
Drawing: Rear Railgear Assembly with Manual Pin-offs	36
Drawing: Rear Railgear Assembly with Remote Pin-offs	37
Drawing: Rear Mounting Brackets.....	38
Drawing: Manual & Remote Pin-offs and Cables	39
Drawing: Rear Wheel and Axle Assembly – Exploded View	40
Drawing: Rear Hydraulic Cylinders I.....	41
Drawing: Rear Hydraulic Cylinders II.....	42
4.5 Rear Link Variations	43
4.6 Rear Link Variations (with Tapered Links)	45
Drawing: Rear Link Dimensions.....	47
5.0 Front To Rear Alignment	48
5.1 Final Alignment.....	48
Drawing: Alignment Procedure and Traction Adjustment	50

6.0 Installation of Options 51

6.1 Rail Sweeps..... 51
 Drawing: Railsweep Assemblies and Variations 52

6.2 Remote Pin/Off Pins..... 53

6.3 Steering Wheel Locks 54
 Drawing: Steering Wheel Lock Assemblies 55

6.4 Hydraulic Brake Connections..... 56
 Drawing: Hydraulic Brake Assemblies..... 57

6.5 Air Brake Connections..... 58
 Drawing: Air Brake Assembly 60
 Drawing: Air Brake Control System Assembly 61
 Drawing: Air Brake Installation..... 62

6.6 Instruction and Safety Decals 63

7.0 Final Checklist 64

DMF RW-1420 Railroader Installation Check Sheet 64

8.0 Engaging the Rail 65

8.1 Getting On the Rail..... 65

8.2 Getting Off the Rail..... 65

9.0 Routine Maintenance..... 66

9.1 Inspection & Maintenance..... 66

9.2 Lubrication Specification..... 66
 Drawing: Grease Point Locations 67

Appendix A: Technical Data 68

A.1 Working Pressure Ratings for SAE Hose and Fittings..... 68

A.2 Welding Information 68

A.3 SAE O-ring Fitting Installation 69

A.4 NPT Pipe Thread Fitting Installation 70

A.5 SAE (JIC) 37 Deg. Flare Fitting Installation 71

A.6 Purchased Fastener Torque Specification 72

A.7 Railwheel Bearing Adjustment Guidelines..... 73

A.8 Hi-rail Cylinder Assembly Procedure..... 74

DMF Limited Warranty Policy 75

SET-UP

I. Pre-Installation

NOTE:
 Read all instructions and check that all required parts and Kits are included before beginning the installation. The proper installation of this equipment is solely the responsibility of you, the authorized installer. When in doubt, contact DMF for assistance.

Tools Required for Installation:

- Electric Welder (Arc or Mig)
- Hoist or Floor Jack
- Frame Drill w/5/8" Drill Bit
- General Mechanic Tools
- 8'L x 1-1/2"dia. Tube or Bar
- Protective Clothing
- Cutting Torch
- Hand Grinder
- Goggles

Supplied Parts Check List:

Part	Qty.
Manuals (P. & S. and Install) (Including Decal Package)	1
Front RW-1420 Rail Gear	1
Rear RW-1420 Rail Gear	1
Rear Mounting Plates (4"X 6"X 1/2" w/4 Holes)	2
Front Frame Extensions (if Required)	2
Front Valve Plate Assembly w/Hydraulic Hoses & 2 Push Button Switch (1 Installed)	1
Monarch Hydraulic Power Unit Assembly	1
1/0 Power Cable X 86" w/lugs	1

Optional Parts Check List:

Part	Qty.
Rail Sweeps (Front) (Right or Left or Axle Set)	1 each
Rail Sweeps (Rear) (Right or Left or Axle Set)	1 each
Remote Pin/Off Assembly (on Rear Rail Gear)	2 each
Remote Pin/Off Cable w/T-Handle	2 each
Hydraulic Brake Assembly (Front or Rear) (Right or Left)	1 each
Hydraulic Brake Control System (Front and/or Rear)	1 each
Air Brake Assembly (Front or Rear) (Right or Left)	1 each
Air Brake Control System (Front and/or Rear)	1 each
Steering Wheel Lock Kit	1 each
Shim Kit for Rear Bracket (12"x 12"-2 ea. 1/8, 1/4 & 3/8")	1 kit

Additional Material that may be Required:

Item	Qty.
Hydraulic Hose (Appropriate Size & Rating for System)	As Required
Swivel Hose Ends (Appropriate Size & Rating for System)	As Required
Diverter Valve (Appropriate Size & Rating for System)	As Required
Hydraulic Oil – Unax RX-46 (or Equivalent)	As Required
Bolts & Lock Nuts – 5/8"-18 Gr.8 (if Frame Extensions are Required)	As Required
Bolts & Nylock Nuts – 5/8"-11 Gr.5 (Rear Mounting Bracket Plates)	8 each
Steel Channel, 3" wide x 4' long (for Front Installation Rails)	2 each
Steel Channel, 3" wide x 10' long (for Front Installation Rails)	2 each
Steel Flat Bar, 1/2"x 3"x 56-1/2" long (for Installation Rails)	4 each
Steel Square Tube, 6"x 6"x 3/8"x 12" long (Temporary Spacer)	2 each

II. "ABS" Brake System

Trucks Equipped With "ABS" Brake System

All medium and heavy duty trucks manufactured after March 1, 1998, and equipped with air brakes, are required by federal law to also include "**ABS**" ("Anti-Lock Brake System"). The system is designed to prevent wheel lock-up and jackknifing during braking. It also provides increased vehicle stability and driver control.

The "**ABS**" consists of wheel speed sensors, an "**ECU**" (electronic control unit) and all wiring and airlines that link the "**ABS**" components to the brakes and the truck's electrical system.

During braking, the sensors will detect if one or more of the wheels are locking and automatically engage the "**ABS**". The "**ECU**" then signals the system to apply and release brake pressure as much as 15 times per second, allowing the wheel(s) to turn just enough to maintain optimum traction.

Vehicles equipped with "WABCO" or "Allied-Bendix" "**ABS**" have an amber dash-mounted warning / diagnostic lamp. During normal road operation, the lamp will come ON when the truck engine is started and, depending on the type of system, will go OFF after about 3 seconds or when the truck reaches a speed of approximately 5-7 mph. A self-diagnostic check of the "**ABS**" is conducted during this time. If the lamp stays on, or comes on any other time during road operation, a possible malfunction is indicated, which will shut off only the part of the system at fault. The affected wheel(s) will revert back to conventional braking. For complete information and instructions relative to the "**ABS**" system, please refer to the truck's 'operation manual'.

Rail Operation of Trucks with "ABS" Brake System Active

While operating on track with the railgear down, the "**ABS**" becomes ineffective in brake application at lower speeds. If the "**ABS**" is active and the truck moving on rail with front wheels elevated, the amber dash light may come on. Since the front wheels are not rotating, the motion sensors may transmit a fault indication to the "**ABS**", which signals the dash lamp to illuminate inadvertently. This will not affect rear truck braking or rail wheel braking, if applicable. When the truck is returned to road operation, the "**ABS**" fault must be cleared, by turning the engine off and re-starting. At this time the diagnostic check will repeat as stated above.

NOTE:

This procedure is applicable only to "WABCO" and "Allied-Bendix" "ABS" Brake Systems.
For any other "ABS" Brake System, contact DMF for assistance.

III. Initial Instructions

Work Area:

The area in which the Railgear installation is to occur should meet minimum requirements in order to facilitate the process and provide adequate conditions in which the work can be completed safely, accurately and in a timely manner.

- Floor - The floor should be level in order to provide good measurements required to check the alignment of the Railroader.
- Lighting - The work area should be adequately lighted.
- Space - There should be enough space to maneuver the Railroader components into position and to safely work around other equipment.

Truck Condition:

Before installation, the truck should be checked in some important areas.

- Tires - The tire pressure should be checked for the manufacturer's recommended inflation and for consistent pressure readings from all the tires. This will ensure correct traction of the tires on the rails. Also the condition of the rear tires needs to be determined. If the rear tires are worn, they should be replaced.
- Alignment - Rear truck axle must be square with truck frame. DMF recommends that a reputable alignment shop check this. 0-degree thrust angle (which can be different than the factory specification) is required for proper Railroader operation.
- Frame & Suspension - On a new truck, these should be in good condition. On a used truck, the frame should be inspected to insure that it has not been damaged or bent. The suspension bushings should also be examined for excessive wear and replaced if necessary. If any problems in these areas are not corrected, it will cause difficulties aligning and operating the rail gear.
- Transverse Torque Rods - On vehicles that will regularly experience high center of gravity loads on rail (e.g. spray trucks, material loaders), it is advisable to install rear tandem control rods to limit transverse axle displacement. This is also necessary of long wheel base vehicles to limit front tandem walking off in curves.

Front and Rear Installation Rails:

In order to install the Railroader to get proper tire traction on the rail, it is necessary that standard gauge rails or Installation Rails be fabricated from 3" square tubing per Figure. 1-5 Drive the truck into the work area (pulling forward and back several times to align the axles) and up onto the Rear Installation Rails. The rear inside tires should be on the rails with the rear outside tires off the floor. The Front Installation Rails are not needed at this point.

NOTE:

Before proceeding, be certain that the front truck tires are chocked and the brakes are set.

1.0 RAILGEAR COMPONENTS & GENERAL INFORMATION

1.1 Front Railgear

Figure 1-1 shows the individual parts of the installed front Railgear with the Rail Wheels in the rail position (down). The item descriptions will be used throughout this installation manual. DMF Railgear assemblies are also referred to as guide wheels, rail wheels or railroaders.

Figure 1-1

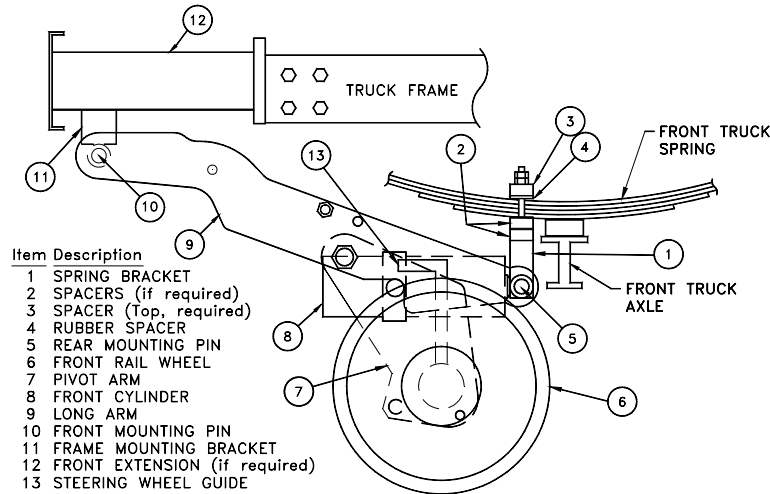
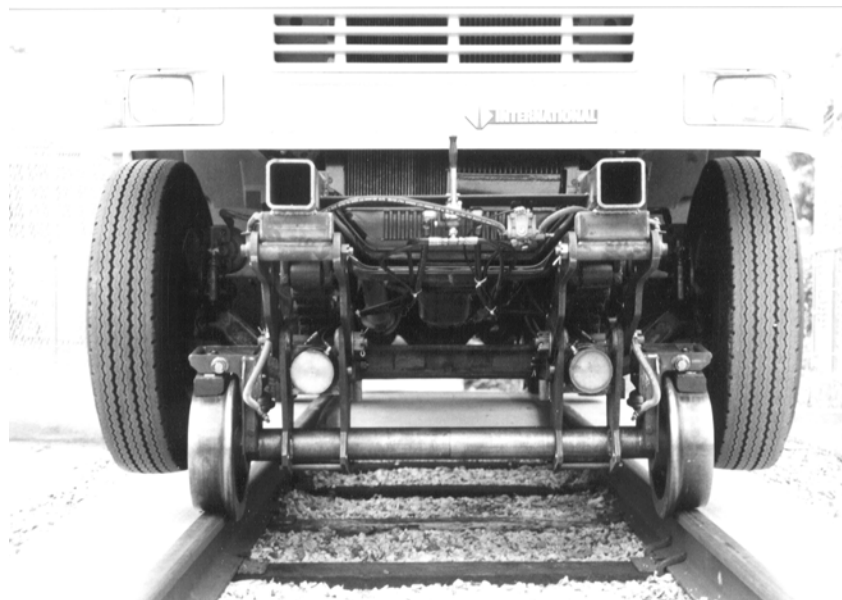


Figure 1-2



1.2 Rear Railgear

Figure 1-3 shows the individual parts of the installed rear Railgear with the Rail Wheels in the rail position (down). The item descriptions will be used throughout this installation manual.

Figure 1-3

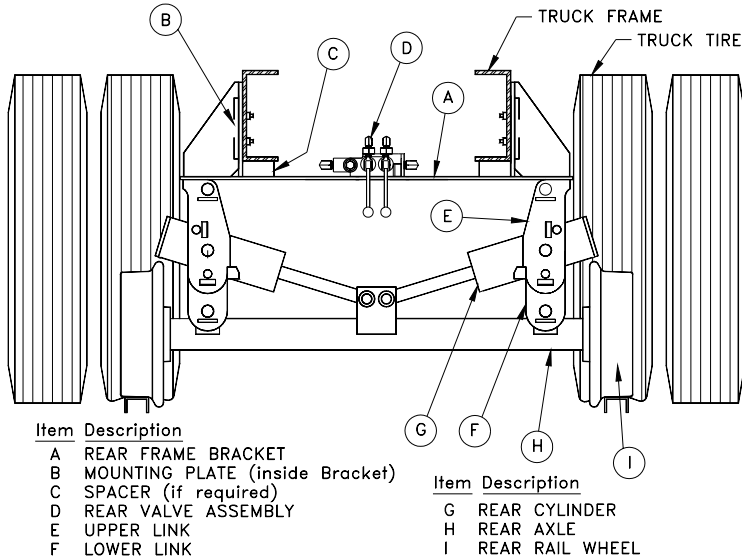
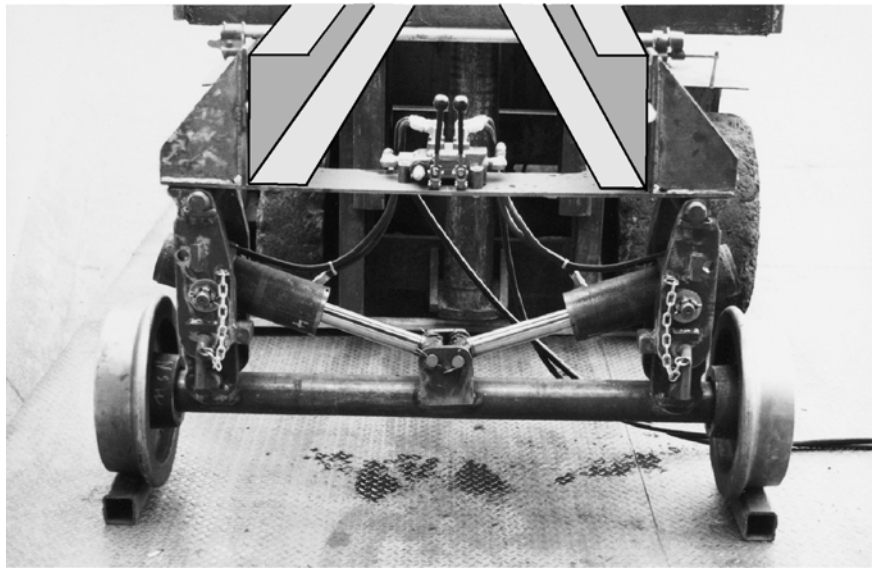


Figure 1-4



1.3 Railgear Installation Rails

In order to install the Railroader to get proper tire traction on the rail, it is necessary that standard gauge rails or Installation Rails be fabricated from 3" standard channel per Figure 1-5.

Drive the truck into the work area (pulling forward and back several times to align the axles) and up onto the Rear Installation Rails. The rear inside tires should be on the rails with the rear outside tires off the floor. The Front Installation Rails are not needed at this point.

NOTE:
Before proceeding, be certain that the front truck tires are chocked and the brakes are set.

Figure 1-5

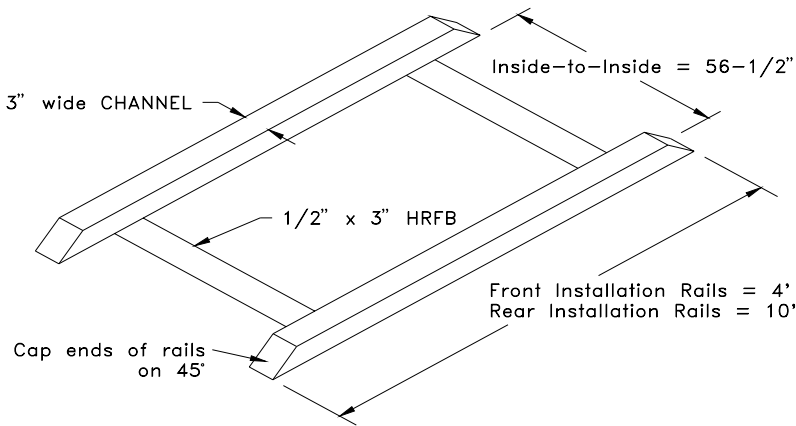
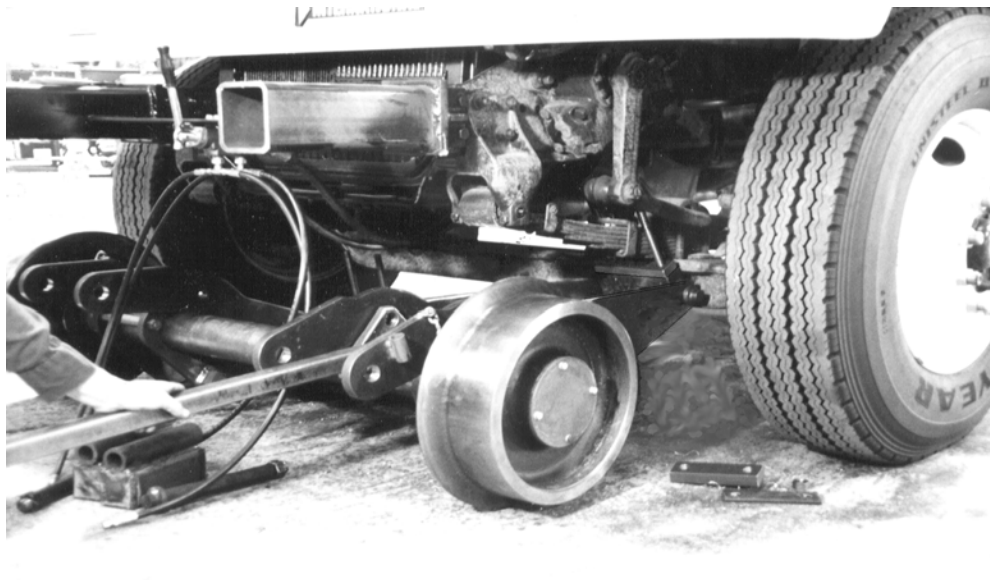


Figure 1-6



1.4 Preliminary Installation

Remove the truck front bumper.

Bolt the Frame Extension to the truck frame (refer to Figure 1-1 & Figure 1-2). Make sure that tilt cabs or hoods will clear the Frame Extensions. Trim the brackets and re-gusset them if necessary. All truck Frame Extensions that are bolt-on brackets must use 5/8"-18 (fine thread) bolts, hardened steel washers and Grade 8 prevailing torque locknuts. All of the 5/8-18 Gr. 8 fasteners should be tightened per Purchased Fastener Torque Specification Table (Dwg. # PP006) in Appendix A. Check that the Frame Extension tubes are level front to rear and side to side with the frame.

NOTE:

DMF front frame extensions are designed to support the front hi-rail gear, only. It is the installer's responsibility to properly engineer bracketry for rail racks, boom rests, etc.

In normal applications, mount the Front Valve Plate Assembly between the Frame Extensions (with the Energy Valve on the underside and the handle facing forward) and weld in place. In case this is not possible, mount Valve Assembly in the most appropriate and easily accessible location.

NOTE:

If the vehicle has been supplied with an integral extended front frame (or set back front axle), the Frame Extensions will not be required. The Front Valve Plate can be attached directly to the extended truck frame.

Roll the Rear Railgear up on the Rear Installation Rails under the truck frame in the back. The rear rail gear is usually installed with the Safety Pin-Offs (either manual, cable or air operated) towards the rear. However, truck body work may dictate locating the Pin-Offs on the front side. (If the Rear Pin-Offs must be located toward the front and the Railgear is supplied with insulated Rail Wheels, make sure to swap the left and right Rail Wheels. The insulated Rail Wheels should always be on the driver's side of the rail gear.) The unit can be leaned upright against the truck frame (block the wheels to prevent movement) during the hydraulic system connection.

2.0 HYDRAULIC SYSTEM CONNECTION

2.1 New Hydraulic System

- If only DMF Railroaders are to be installed and there is not an existing hydraulic system, outfit the truck with the supplied 12 Volt DC power unit. This unit will be used to actuate the railgear raise and lower cylinders only. Refer to schematics on the following pages.
- Mount the Power Unit Assembly in the desired location. This might be under the hood, behind the cab, under/behind the steps to the cab or another location that will provide suitable vandal protection. Connect the large stud on the Power Unit solenoid to the battery with the supplied 1-0 cable. Connect the (grounding) control terminal on the solenoid to an ignition switch energized push button switch to be located near each manual valve. When either push button is held down the power unit should function.
- The hoses that connect the directional valves to the cylinders are supplied in the kit. All hoses to/from the Power Unit and between the valves are to be supplied by the installer. All hoses are to be SAE 100R1 (1 wire braid) -4 with female swivel JIC-4 ends.
- Using a pair of 3/8" hoses supplied loose in the kit, connect the rod end of each front cylinder to **one** working port on the front manual directional valve with a #4 JIC tee. Use the other pair of 3/8" hoses to connect the blind ends of the cylinders to the **other** work port.
- The rear valve is pre-plumbed to the cylinders and mounted on the rear mounting bracket. This may be relocated as required.
- Plumb from the pressure port on the Power Unit to the inlet of the front directional valve. Plumb from the outlet of the front directional valve to the inlet of the rear directional valve; and, from the outlet of the rear directional valve to the tank return fitting on the Power Unit.

******WARNING******

Be certain that the front and rear valves are plumbed correctly. Each valve port is marked "IN" or "OUT". Plumbing the valves backward will cause an unsafe condition, possible injury and/or damage.

2.2 Hydraulic System with Brakes

- Kits supplied with guidewheel brakes have the Power Unit plumbed to the braking valves. The Power Unit Assembly will be used to operate the railgear to raise and lower functions and operate the guidewheel brakes. Refer to schematics on the following pages.
- Install the hydraulic system as in the basic system above; however, Plumb from the pressure port on the Power Unit to port P on the solenoid diverter brake valve. Plumb from port DH on the solenoid diverter brake valve to the inlet of the front directional valve.

2.3 Hydraulic Brakes Only

- If the chassis has been outfitted with a PTO hydraulic system, The railgear raise and lower function may be plumbed into that system. Using an appropriately sized manual diverter valve (such as a Gresen S-50) the railgear may be tapped into the loop and plumbed as in section 2.1 above.
- To operate the railgear brakes the 12 Volt DC Power Unit may be used to operate the braking circuit only. This prevents having to run the PTO circuit while traveling down the rail.
- Install the Power Unit and connect to the battery as above. Plumb from the outlet of the brake system pressure control valve to the brakes per the OPTIONS section that follows.

******WARNING******

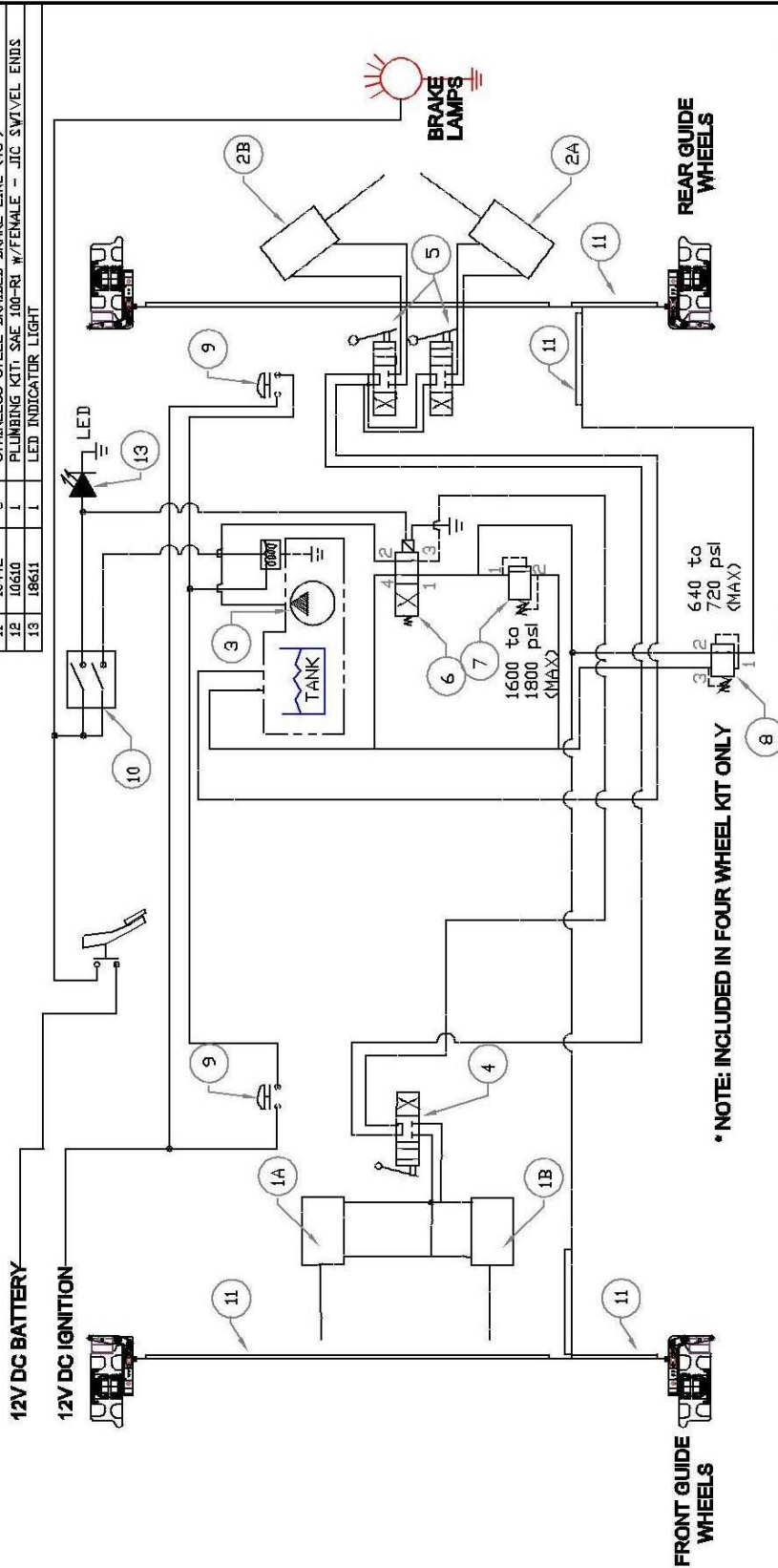
Railroader valves have built-in pressure reliefs and the hydraulic working pressure of the system is 2000 psi. The front valve is preset to 2000 psi at the relief. The rear valves are preset to 1500 psi and all other parts supplied by DMF are rated to 2500 psi. Care must be exercised that the relief in any of the valves is not inadvertently exceeded. It is possible for a relief to be adjusted much higher than it's valve can withstand. To ensure correct system pressure, check with a gauge.

- Fill the Power Unit tank with Dextron II ATF.
- Hold the front push button down while spooling the front valve. Operate the front railgear to fill the cylinders with fluid (remember to re-fill the tank).
- Repeat the procedure for the rear railgear.

Drawing: Hydraulic System (Old Style)

ITEM	PART NO.	QTY	DESCRIPTION
1A	240700	1	HYD. CYL. FRONT DRIVER'S SIDE
1B	240701	1	HYD. CYL. FRONT PASSENGER'S SIDE
2A	241500	1	HYD. CYL. REAR DRIVER'S SIDE
2B	241501	1	HYD. CYL. REAR PASSENGER'S SIDE
3	10752	1	MONARCH POWER UNIT N-326 - 12VDC
4	810204	1	VALVE, FRONT, GREEN SP-4-4-HP
5	810210	1	VALVE, REAR, GREEN SP-4-4-HP
6	10404	1	VALVE, BRAKE SOLENOID, HYDRA. S/08-40-2P-N-12IS
7	10424	1	VALVE, FRONT BRAKE RELIEF HYDRA. RV10-26B-2P-N-30/180
8	10437	1	VALVE, REAR BRAKE RELIEF HYDRA. PR08-32B-2P-N-12/70
9	10758	1	VALVE, REAR, PUSHBUTTON COLE HERSEE 90030-12
10	10417	1	SWITCH, TOGGLE, DPST-7803K31
11	10442	6	STAINLESS STEEL BRAIDED BRAKE LINE (48")
12	10610	1	PLUMBING KIT: SAE 100-RI #/FEMALE - JIC SWIVEL ENDS
13	18611	1	LED INDICATOR LIGHT

* NOTE: ON FORDS USE TERMINAL C210 (ELECTRONIC TRAILER BRAKE CONTROL) INSTEAD OF BRAKE PEDAL SWITCH



* NOTE: INCLUDED IN FOUR WHEEL KIT ONLY

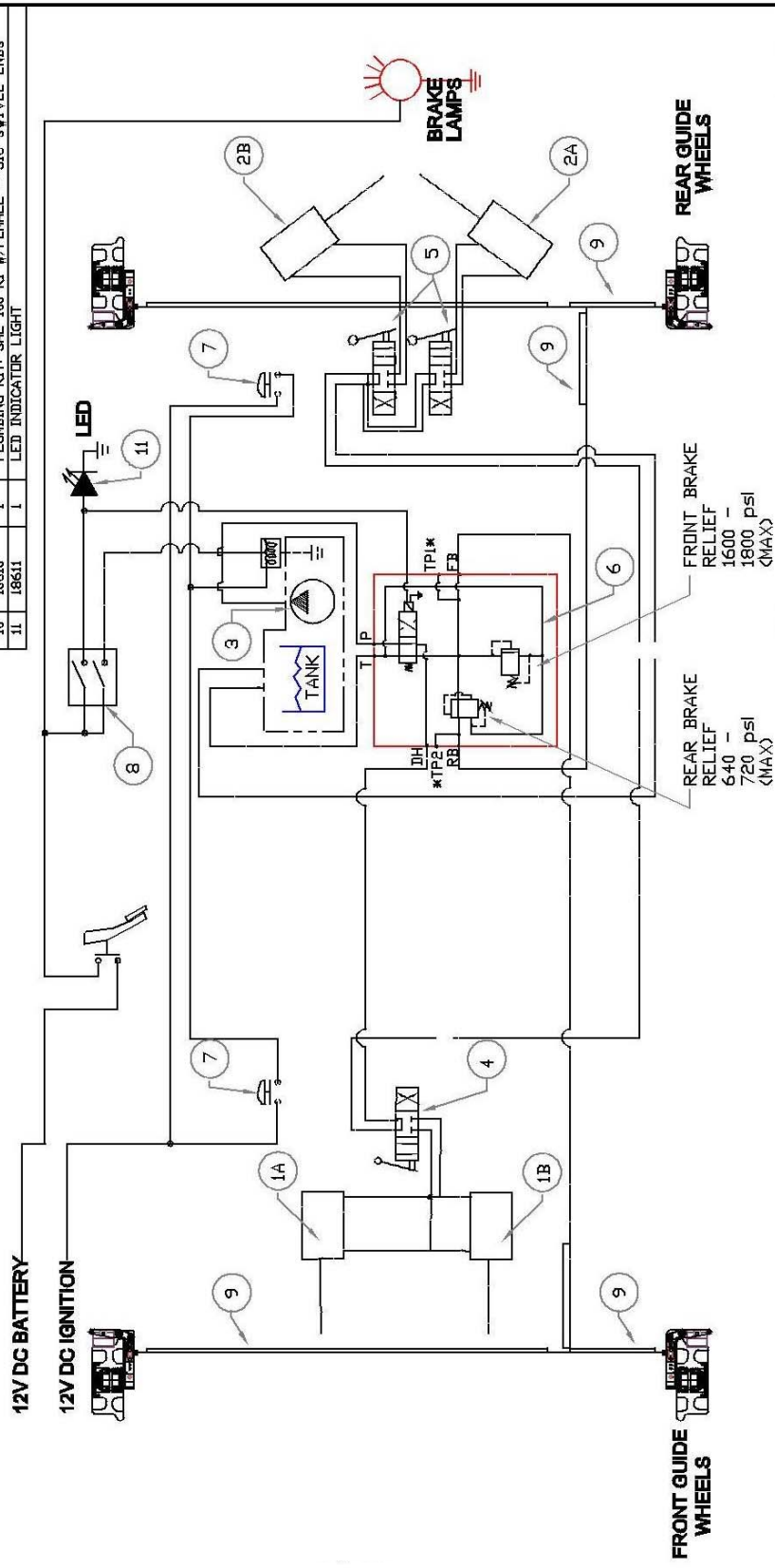
REV	DATE	DESCRIPTION	BY	APP
1				

TITLE		RV-1420 HYDRAULIC SYSTEM (OLD STYLE)	
DESIGNED BY	DATE	DRAWING NUMBER	REV.
TSH	04/25/91	FT10461A	#

Drawing: Hydraulic System (New Style)

ITEM	PART NO.	QTY	DESCRIPTION
1A	240700	1	HYD. CYL. FRONT DRIVER'S SIDE
1B	240701	1	HYD. CYL. FRONT PASSENGER'S SIDE
2A	241500	1	HYD. CYL. REAR DRIVER'S SIDE
3	241501	1	HYD. CYL. REAR PASSENGER'S SIDE
4	10752	1	MONARCH POWER UNIT N-326 - 12VDC
5	810204	1	VALVE, FRONT, GREEN SP-4-4-HP
6	10494	1pc	MANIFOLD, BRAKE (SHOWN) (FRONT and REAR)
7	10492	1	MANIFOLD, BRAKE (NOT-SHOWN) (FRONT ONLY)
8	10758	1	SWITCH, PUSHBUTTON, COLE HERSEE 90030-12
9	10417	1	SWITCH, TOGGLE, DPST-7603K31
10	10442	6	STAINLESS STEEL BRAIDED BRAKE LINE (48")
11	10610	1	PLUMBING KIT, SAE 100-R, #/FEMALE - JIC SWIVEL ENDS
11	18611	1	LED INDICATOR LIGHT

* NOTE: ON FORDS USE TERMINAL C210 (ELECTRONIC TRAILER BRAKE CONTROL) INSTEAD OF BRAKE PEDAL SWITCH

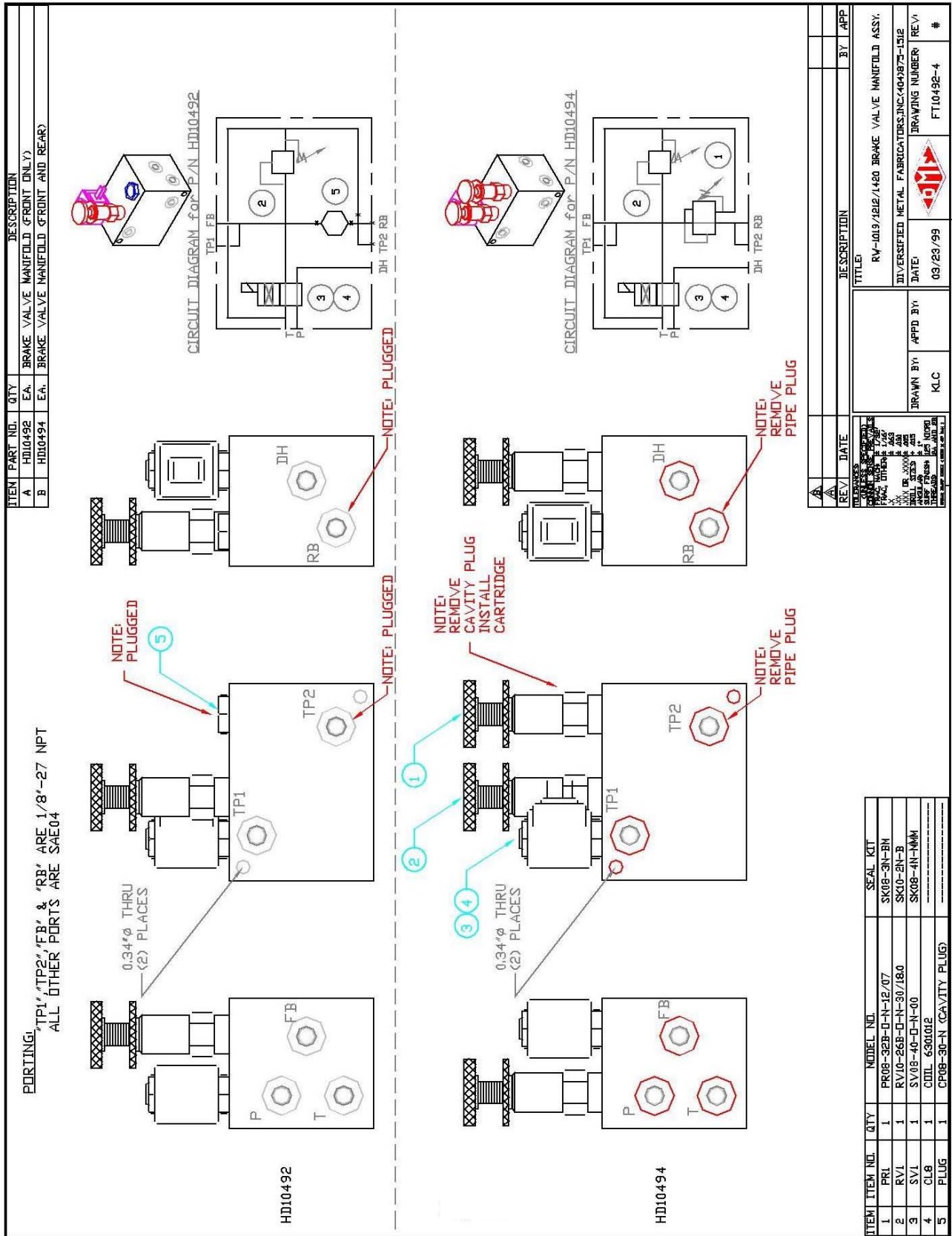


* NOTE: PN 10484 BRAKE MANIFOLD (SHOWN) (FRONT & REAR BRAKES).
 * NOTE: PN 10492 BRAKE MANIFOLD (NOT-SHOWN) (FRONT BRAKES ONLY).
 * NOTE: TP1 & TP2 ARE PRESSURE TEST PORTS.

REV	DATE	DESCRIPTION	BY	APP
A				

TITLE		RY-1420 HYDRAULIC SYSTEM (NEW STYLE)	
DATE:	04/25/91	DRAWING NUMBER:	FT10461B
DRAWN BY:	TSH	APP'D BY:	
REV:		REV:	

Drawing: Brake Valve Manifold Assembly



3.0 FRONT RAILGEAR INSTALLATION

3.1 Front Railgear

NOTE:

The Railroader unit that we have shipped to you has been designed for your specific truck. However, before starting the front Railroader installation, check the vehicle's front tire spacing. The front rail gear operates between the front steering tires; therefore, you must have a minimum of 65" between the tires. If this is not the case, contact DMF.

With the front Railroader under the truck frame, Spacer thickness can be determined. Spacers may be required to place the front rail gear at the proper height. Measure the ground clearance of the front spring just in front of the front axle beam ("A", as shown in Figure 3-1). The correct distance from the ground to the center of the Rear Mounting Pin (with the front truck tires on the ground) should be 10-3/4". In order to obtain this 10-3/4" distance, 1" Spacers should be used between the spring and the Spring Bracket. Spacer distance is dependent on the Spring Bracket supplied (3" or 4").

To determine which Spring Bracket is supplied, measure the distance from the Rear Mounting Pin center to the top of the Spring Bracket as shown in Figure 3-1. (For Spring Brackets other than the 3" or 4", please call DMF.) See the following table to determine the number of Spacers. The number of Spacers shown in this table does not include the top Spacer that is used above the truck springs. The top Spacer has no effect on the height of the rail gear and is only used for clamping purposes.

Table A - Spacers Required

"A" Distance	w/ 3" Spacer	Bracket	w/ 4" Spacer	Bracket
	Spacer Distance (in.) ["A" - 13-3/4"]	# of Spacers	Spacer Distance (in.) ["A" - 14-3/4"]	# of Spacers
13-3/4 to 14-1/4	0 to 1/2	0	-	-
14-3/8 to 15-1/4	5/8 to 1-1/2	1	0 to 1/2	0
15-3/8 to 16-1/4	1-5/8 to 2-1/2	2	5/8 to 1-1/2	1
16-3/8 to 17-1/4	2-5/8 to 3-1/2	3	1-5/8 to 2-1/2	2

Figure 3-1

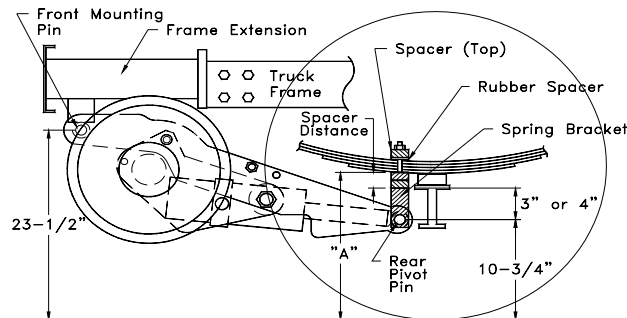
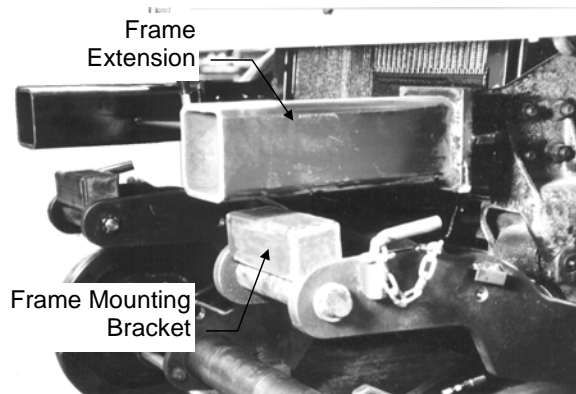


Figure 3-2



If they are required per Table A, the 1" x 2" flat bar Spacers are placed between the Spring Bracket and the underside of the truck spring. (Use the 8' bar to lever the Long Arms and Spring Brackets up to the springs as in Figure 2-1). After lifting the Long Arms, attach each Spring Bracket to the truck spring using a Rubber Spacer directly above the spring, a 1" x 2" flat bar Spacer on top of the Rubber Spacer and two 3/4"-10 hex nuts per stud. Push the Spring Brackets back against the axle beam and tighten the hex nuts (two per stud) onto the top Spacer to cage the springs. The nuts should be tightened down until the Rubber Spacer begins to deform from the downward pressure (squeezes out between the top Spacer and spring). Remove the Front Pin-Offs and set the steering tires straight ahead. The front Railgear can now be actuated with the hydraulic system which will cause the Long Arms to be raised up to the Frame Extension (see Figure 3-2).

The Frame Mounting Bracket only needs to be brought up to where it touches the Frame Extension or truck frame (not raised all the way to lift the truck frame and raise the truck tires). In order to install the front of the front Rail Gear at the correct height, the center of the Front Mounting Pins must be located at 23-1/2" from the ground (with the truck tires on the ground) as shown in Figure 3-1.

If required, shim the Frame Mounting Bracket to obtain this 23-1/2". Any shims used should be load bearing members (no thin wall tubing). If necessary, a different Frame Mounting Bracket can be used to obtain the desired height of the Front Mounting Pin.

Check for truck frame, spring, steering gear or other truck component interference with the Railroader equipment (particularly the Long Arms - see CLEARANCE NOTE in this section). Front Mounting Pin ground clearance may be reduced to as low as 22" to provide for proper fit.

NOTE:

If the vehicle is supplied with an integral extended front frame (or a set-back front axle), the Frame Extension will not be required. The Frame Mounting Bracket can be brought up to the extended frame as shown in Figure 3-3. Follow all instructions for finding the Front Mounting Pin height with the Frame Extensions. Solid or load bearing Spacers may be required between the bracket & the bottom of the frame to obtain the desired 23-1/2" from ground to Front Mounting Pin.

Figure 3-3

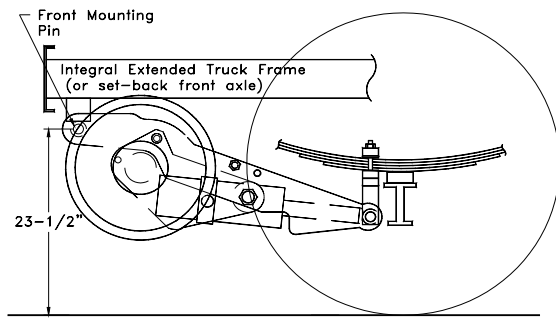
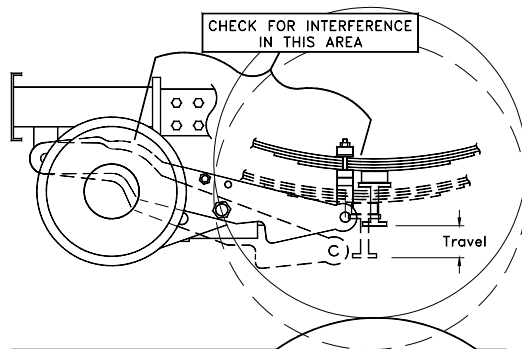


Figure 3-4



CLEARANCE NOTE:

Proper clearances will allow the rail gear to move up and down with the truck front suspension. As the truck tire hits bumps in the road, the truck spring allows the front axle to move upward (see Figure 3-4). Since the rail gear is attached to the spring just in front of the axle, sufficient clearance must be allowed to prevent interference with other parts on the truck (i.e. frame, steering boxes, shocks, oil filters, spring hangers, hydraulic lines, etc.). The Front Mounting Pin does not move in relation to the vehicle frame because it is fastened through the Frame Extension (or directly to the truck frame). As the Front Mounting Pin does not move and the Rear Mounting Pin (at the axle) does, the rail gear effectively rotates about the Front Mounting Pin. Therefore, the part of the rail gear near the Rear Mounting Pin moves more than the part near the Front Mounting Pin and attention needs to be paid, to the possible clearance problems that can be caused by this movement.

3.2 Align Front Railgear

The front Railroaders now are ready to be squared up and aligned. Three measurements need to be taken to insure that everything is aligned properly.

To align the Long Arms, check:

- (1) That they are parallel with each other and the truck frame.

The outside Long Arms should be the same distance apart at the Rear Mounting Pin as they are at the Front Mounting Pin. This prevents the mechanism from binding during up/down operation of the rail gear. Also the distance from the Long Arms to the truck frame should be the same on each side.

- (2) That they are the same distance forward.

Measure the distance from the Front Mounting Pin to a common point in the truck frame (i.e. a grease fitting on the Spring Hanger). If the measurements are off, square the Railroaders by loosening the nuts on one spring hanger and moving forward on the truck spring and re-tighten.

To check the Spring Bracket location, check:

- (3) That the Spring Bracket to truck axle distance is same on both sides.

Measure the distance from each Spring Bracket back to the truck axle. Since the forward position of the Long Arms has been verified (Check #2), an off measurement here probably means the front truck axle is mis-aligned and needs to be corrected.

After these alignment checks and after insuring there are sufficient clearances, the Frame Mounting Brackets can be tack welded to the Frame Extensions.

NOTE:

Do not attach the welding machine ground clamp onto the Rail Wheels. This will cause arcing across the bearings inside the wheels and lead to premature bearing failure.

Raise the front Rail Wheels just above the floor, enough to slide the front Installation Rails into place under the Rail Wheels. Because the Railroader Axle assembly is not fixed to the Pivot Arms, the Rail Wheels need to be centered. To center, measure the distance from the inside of the Rail Wheel to the truck frame. If the measurements are off, slide the Rail Wheels and Axle assembly to one side (the Axle Tube will slide through the holes in the Pivot Arms).

Depending on the brake configuration used, the Axle Tube will need to be rotated in order to locate front Railroader components in the right position. The possible configurations are:

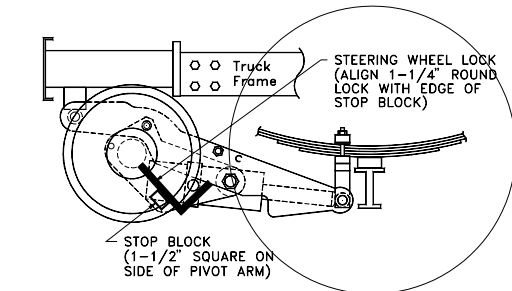
Without Brakes:

If the rail gear is not supplied with any brakes, the Steering Wheel Locks must be aligned as shown in Figure 3-5. When the front Railroaders are down (in the rail position), these Steering Wheel Locks prevent the front truck wheel from interfering with the rail gear operation.

With Cobra Hydraulic Brakes:

If the rail gear is supplied with Cobra Hydraulic Brakes (factory-installed), then they need to be rotated around so that they are oriented in the correct position (see Figure 6-4). For the rest of the Brake installation, see Section 6.3

Figure 3-5



With the Axle Tubes now centered and brake configuration determined, the Axle Tubes should be tacked to each outside Pivot Arm. The inside Pivot Arms should not be welded to the Axle Tube to facilitate ease of disassembly for repair or future maintenance. Final welding is performed after alignment in Section 5.0.

The front Railroaders are ready to be lowered on the Installation Rails. As the rail gear is lowered, check the clearance from the truck tire to the Rail Wheels. (If there is interference, stop lowering the wheels, and retrace the installation steps to fix the problem.) When the Railroaders are completely lowered, the front truck tires should be approximately 2 inches above the Installation Rails. If rail gear will not lift the truck, check that the cylinders are not cross plumbed, that the system pressure relief valve (if present) is set high enough and that the pressure relief on the Front Railroader Valve is set high enough. Re-check the center alignment of the Rail Wheels to the truck frame. (If it is off, break the tacks between the outside Pivot Arms and Axle Tube and slide the Axle Tube to the correct position and re-tack in place.)

3.3 Final Front Installation

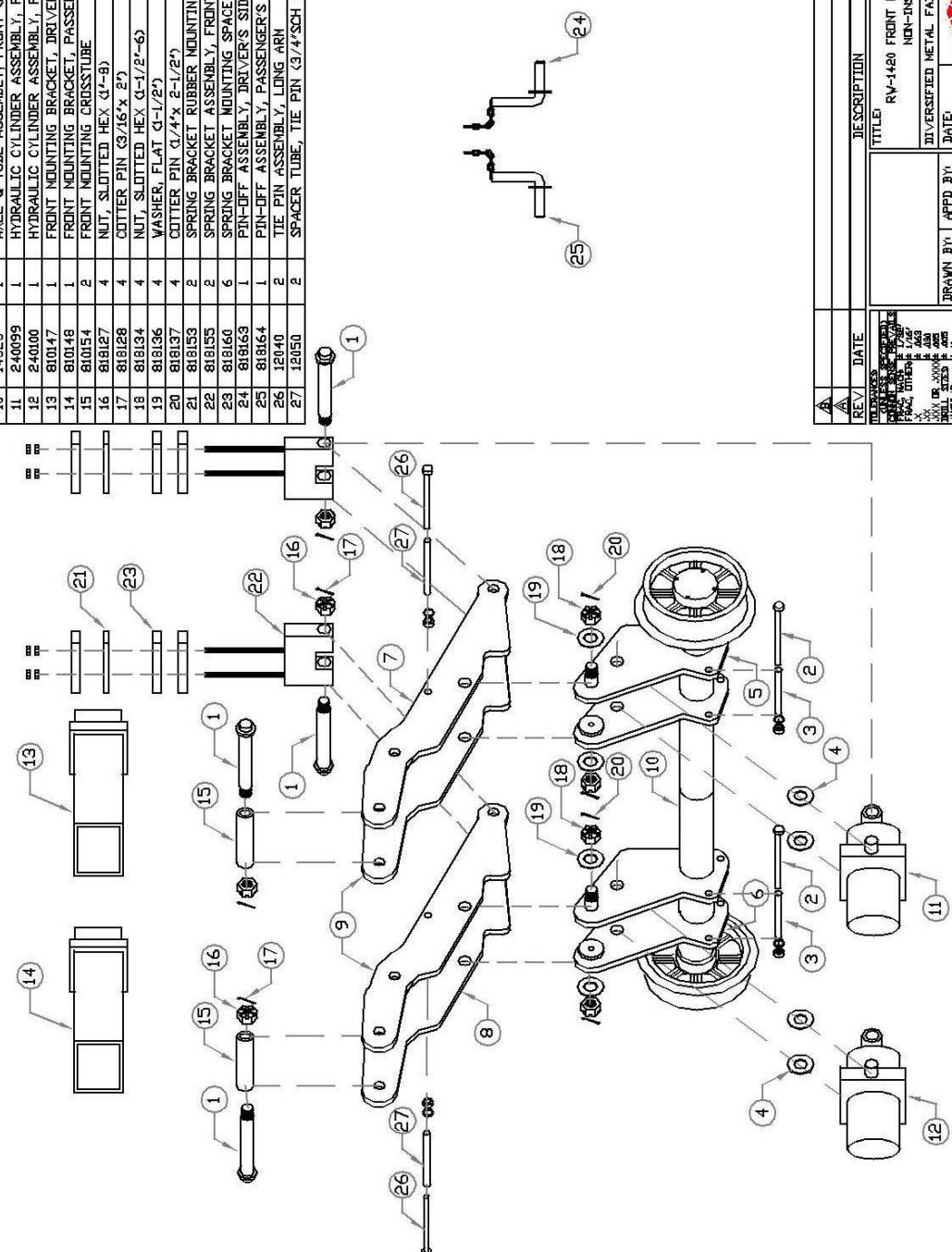
If the Spring Bracket location had to be adjusted, make sure that the hex nuts (two per stud) on both Spring Brackets have been tightened down. Then with a torch, cut the excess stud length on the Spring Brackets. If these studs are not trimmed down, they may pose a clearance problem with other parts on the truck (see CLEARANCE NOTE and Figure 3-4 in section 3.1).

Remount the truck front bumper or use 8" std. channel welded onto the ends of the Frame Extensions.

Drawing: Front Railgear Assembly

ITEM	PART NO.	QTY	DESCRIPTION
1	10124	4	PIN ASSEMBLY, FRONT MOUNTING
2	818149	2	TIE PIN ASSEMBLY, PIVOT ARM
3	818148	2	SPACER TUBE, TIE PIN (3/4" SCH 40 x 7')
4	12052	4	SPACER, FRONT CYLINDER GBD
5	12100	2	PIVOT ARM ASSEMBLY, FRONT DRIVER'S SIDE
6	12102	2	PIVOT ARM ASSEMBLY, FRONT PASSENGER'S SIDE
7	12120	1	LONG ARM ASSEMBLY, FRONT OUTER DRIVER'S SIDE
8	12122	1	LONG ARM ASSEMBLY, FRONT OUTER PASSENGER'S SIDE
9	12127	2	LONG ARM ASSEMBLY, FRONT INNER BOTH SIDES
10	14828	1	AXLE & TUBE ASSEMBLY, FRONT (NO-BRKS)
11	240099	1	HYDRAULIC CYLINDER ASSEMBLY, FRONT DRIVER'S SIDE
12	240100	1	HYDRAULIC CYLINDER ASSEMBLY, FRONT PASSENGER'S SIDE
13	810147	1	FRONT MOUNTING BRACKET, DRIVER'S SIDE
14	810148	1	FRONT MOUNTING BRACKET, PASSENGER'S SIDE
15	810154	2	FRONT MOUNTING CROSSTUBE
16	818127	4	NUT, SLOTTED HEX (17-8)
17	818128	4	COTTER PIN (3/16" x 2')
18	818134	4	NUT, SLOTTED HEX (1-1/2" x 6)
19	818136	4	WASHER, FLAT (1-1/2")
20	818137	4	COTTER PIN (1/4" x 2-1/2")
21	818153	2	SPRING BRACKET RUBBER MOUNTING PAD
22	818153	2	SPRING BRACKET ASSEMBLY, FRONT
23	818160	6	SPRING BRACKET MOUNTING SPACER BAR (1')
24	818163	1	PIN-OFF ASSEMBLY, DRIVER'S SIDE (REF.)
25	818164	1	PIN-OFF ASSEMBLY, PASSENGER'S SIDE (REF.)
26	12040	2	TIE PIN ASSEMBLY, LONG ARM
27	12050	2	SPACER TUBE, TIE PIN (3/4" SCH 40 x 8')

NOTE: ITEM #s 13, 14, 16 & 22 CAN VARY ACCORDING TO APPLICATION.
 NOTE: ITEM #s 24 & 26 ARE COMPONENTS OF ITEM #s 7 & 8.



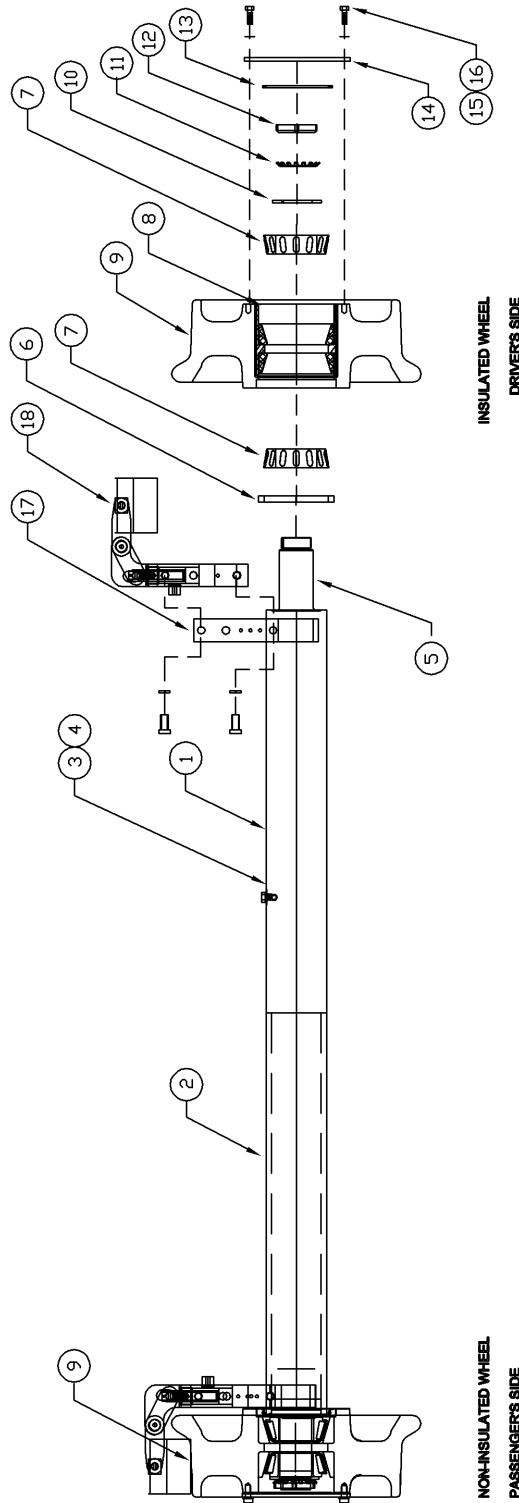
REV	DATE	DESCRIPTION	BY	APP
A				

TITLE: RW-1420 FRONT RAILGEAR ASSEMBLY NON-INSULATED, NO BRAKES	
DRAWN BY: KLC	APP'D BY:
DATE: 09/26/01	REV:
DIVERSIFIED METAL FABRICATORS, INC (444) 875-1512	
DRAWING NUMBER: FT14800	
#	

Drawing: Front Wheel & Axle Assembly II

ITEM	PART NO.	QTY	DESCRIPTION
1	14844	1	AXLE TUBE ASSY., FRONT PIN-SIDE DRIVER'S SIDE
2	14846	1	AXLE TUBE ASSY., FRONT NON-PIN-SIDE PASSENGER'S SIDE
3	12564	1	PIN - ANTI-ROTATION
4	12566	1	WASHER, LOCK - ANTI-ROTATION
5	12605	1	HEAVY DUTY AXLE DETAIL
6	12592	2	SEAL, STANDARD (GR34868)
7	12591	4	BEARING CDNE (HM-807049)
8	12590	4	BEARING RACE (HM-807010)
9	14521	00*1	WHEEL, JPC INS., w/RACES INSTALLED, PRIOR TO 9/2004
	14517	00*1	WHEEL, 2PC INS., w/RACES INSTALLED, PUST 9/2004
	14512	10*2	WHEEL, NON-INS., COBRA BRAKES, w/RACES INSTALLED
10	12596	2	WASHER, AXLE TONGUE (K-91510)
11	12598	2	WASHER, AXLE TAB (WH-10)
12	12595	2	NUT, AXLE HEX (TN-10)
13	12586	2	INSULATOR RING, AXLE (INSULATED APPLICATION ONLY)
14	12560	2	HUBCAP DETAIL (6-17/8" dia.)
15	800108	8	HUBCAP BOLTS (5/16"-18 x 3/4")
16	800109	8	HUBCAP LOCKWASHERS (3/4")
17	14755	4	AXLE BRAKE SADDLE (12")
18	14710	2	BRAKE ASST., HYDRAULIC w/EXTENDED ARM

NOTE: SEE PAGE # 23 FOR MORE INFO ON HYDRAULIC BRAKES.



REV	DATE	DESCRIPTION	SEW	APP
A	7/19/05	ADDED 2PC INSULATED WHEEL (14517)		

TITLE: RW-1420 WHEEL & AXLE ASSY., FRONT INSULATED (SHOWND) & NON-INSULATED w/HYD. BRAKES DIVERSIFIED METAL FABRICATORS, INC. (404) 875-1512 DATE: 12/04/97 DRAWN BY: VET APPD BY: VET DRAWING NUMBER: FT14836 REV: A	
--	--

Drawing: RW-1420 Wheel – Exploded View

ITEM	PART NO.	QTY	DESCRIPTION
14	14527	1	INNER INSULATOR (MANUFACTURED AFTER 9/2004)
15	14528	1	OUTER INSULATOR (MANUFACTURED AFTER 9/2004)
1	12592	2	SEAL, STANDARD (CS34866P)
2	12591	4	BEARING CONE (HM-807049)
3	12590	4	BEARING RACE (HM-807010)
4	12587	10x0	STEEL SLEEVE DETAIL
5	14588	10x0	PHENOLIC INSULATOR SLEEVE DETAIL
6	14521	10x1	WHEEL, INSULATED, NO BRAKES, W/RACES INSTALLED
7	14512	10x2	WHEEL, NON-INSULATED, NO BRAKES, W/RACES INSTALLED
8	12596	2	WASHER, AXLE TONGUE (K-91510)
9	12598	2	WASHER, AXLE TAB (WH-10)
10	12595	2	NUT, AXLE HEX (TN-10)
11	12586	10x0	INSULATOR RING, AXLE (INSULATED APPLICATION ONLY)
12	12560	2	HUBCAP DETAIL (6-1/8" dia)
13	800108	8	HUBCAP BOLTS (5/16"-18 x 3/4")
14	800109	8	HUBCAP LOCKWASHERS (3/4")

1 PIECE INSULATOR W/ SLEEVE
PRODUCED UP TO 9/2004

2 PIECE INSULATOR
PRODUCED AFTER 9/2004

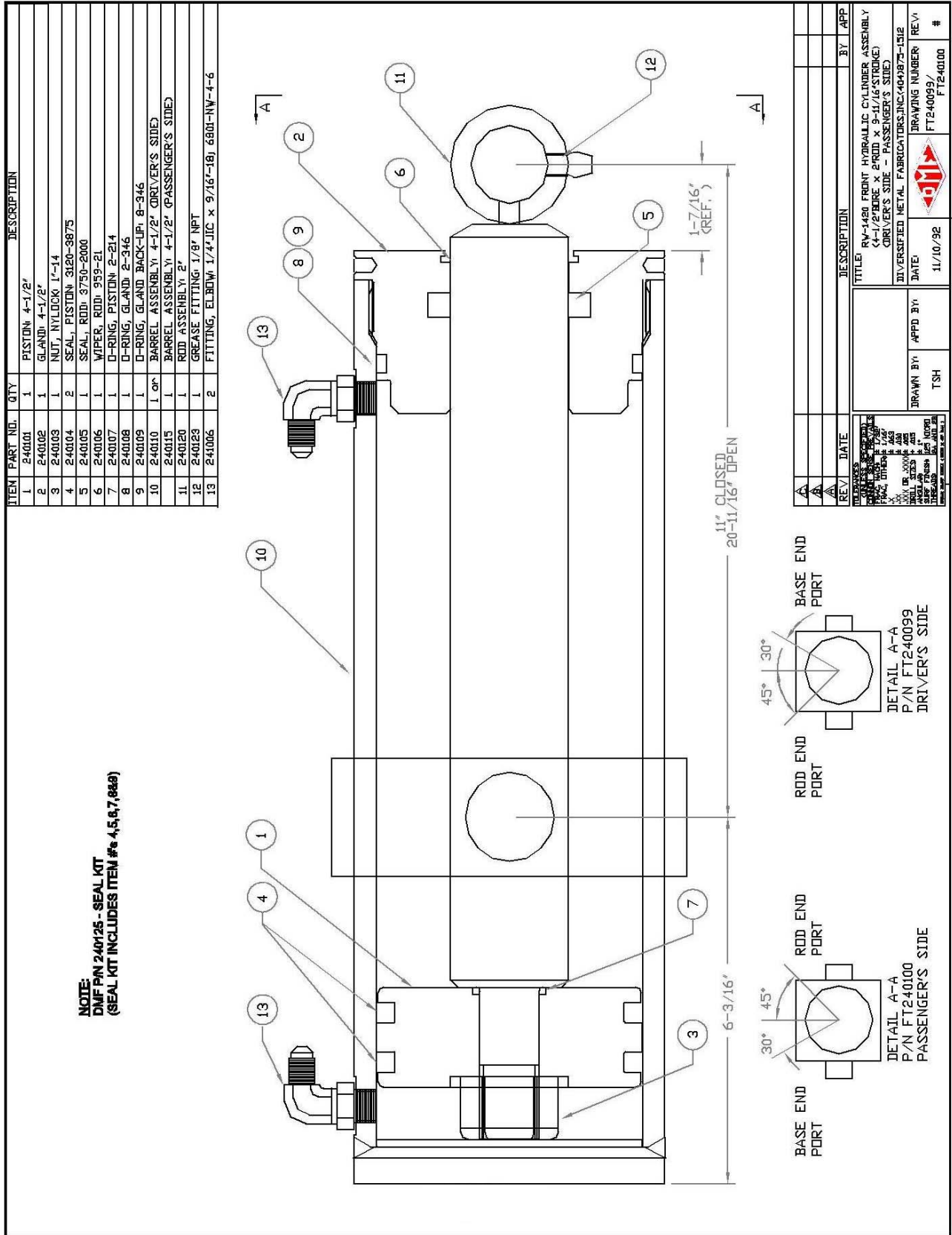
NOTE: BOTH PIN 14512 & PIN 14521 COME W/RACES INSTALLED

PIN 14521 COME W/BOTH STEEL & INSULATOR SLEEVES INSTALLED

REV	DATE	DESCRIPTION	SEV	BY	APP
A	7/22/05	ADDED 2 PIECE INSULATOR CONFIGURATION			

TITLE: RW-1420 INSULATED WHEEL ASSEMBLY	
DRAWN BY: KLC	APP'D BY:
DATE: 10/27/98	REV: A

Drawing: Front Hydraulic Cylinders



4.0 REAR RAILGEAR INSTALLATION

4.1 Location of Rear Railgear

NOTE:
It is important that the truck tire pressure (especially the rear tires) be checked and brought to the manufacturers recommended level.

With the truck on the rear Installation Rails, position the Rear Railgear as close to the rear tires as practical (allowing clearance for mud flaps). The following table gives standard location and clearance guidelines for the rear rail gear and these dimensions are shown in Figure 4-1. Generally, leave a minimum of 2" clearance to any tire, spring, or suspension components.

Minimum Distance from:	Single Axle	Tandem Axle
Tire to Rail Wheel Center	13-1/4"	9-1/4"
Min. Truck Frame Extension (from tire)	19-1/4"	15-1/4"
Overall Rail Gear Clearance (from tire)	20-1/4" x 19"	16-1/4" x 19"

If the truck frame does not extend the minimum of 19-1/4" for single axle or 15-1/4" for tandem axle trucks, it should be properly lengthened to provide the necessary mounting clearance for the rail gear.

In addition, because the rail gear typically drops straight down, but it can also articulate from side- to-side to allow alignment of the vehicle with the rail, a clear space of 19 inches must extend outward from each side of the frame in this area to allow for proper articulation (see Figure 4-1). It is important that nothing encroach upon this space (i.e. outriggers, lift-gates, body tie-down bolts).

Figure 4-1

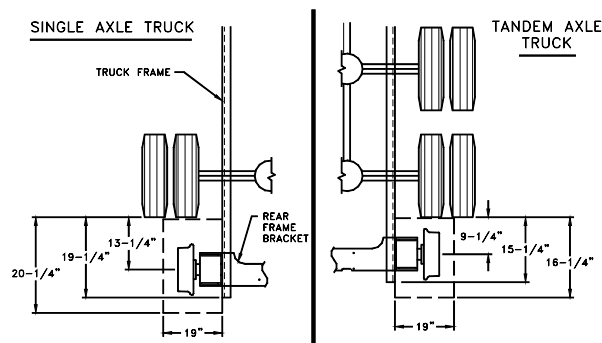
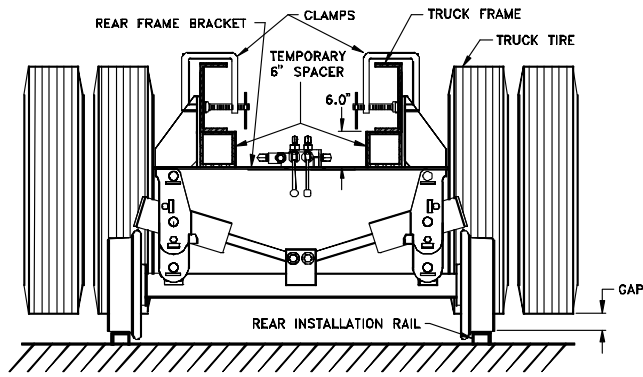


Figure 4-2



4.2 Spacer Installation

Before proceeding, place a temporary 6"x 6"x 3/8" wall steel tube spacer between the truck frame and Rear Mounting Bracket (see Figure 4-2). Actuate both Rear Cylinders to raise the Rear Frame Bracket up to the truck frame.

NOTE:
With the Rear Railroader in position, temporarily secure (clamp, chain, etc..) in place to prevent any movement during the remaining installation.

Then raise the Rear Mounting Bracket (with temporary 6" spacer) and the truck frame and lift the truck wheels up off of the rear Installation Rails. Measure the Gap from the top of the rear Installation Rails to the bottom of the tire with this 6" spacer in place (as shown in Figure 4-2). The truck spring and tire deflection equals 6.0" minus the measured Gap. To calculate the required Spacer thickness, multiply the spring and tire deflection by 60%. The formula is:

$$\text{Calculated Spacer thickness} = (6.0'' - \text{Gap}) \times 60\%$$

The following table shows the calculated Spacer thickness given a certain Gap. (This table is given as an example. Actual gaps may include fractions and the Spacer thickness will need to be calculated for that specific gap.)

NOTE:
Some customers require a minimum 1/2" spacer for future adjustability. Contact your customer to determine his requirements.

If Gap =	Spring & Tire Deflection (6.0" - Gap)	Calculated Spacer thickness (6.0" - Gap) x 60%
5"	1"	3/4"
4"	2"	1-1/4"
3"	3"	1-3/4"
2"	4"	2-3/8"
1"	5"	3"

Release the clamps holding the Rear Frame Bracket to the truck frame. Collapse the Rear Railroader to the folded position (which will lower the truck wheels back down on the Installation Rails). Replace the temporary 6" spacers with the permanent Calculated Spacers and tack in place onto the Rear Frame Bracket. These permanent Spacers should be solid steel pieces because they will experience the full structural load seen by the rear frame.

Extend the Rear Railroader to the rail position (which will raise the truck frame). The truck inner duals should be flat to slightly cupping the installation rails. Too much weight on these tires (truck frame too low) will cause rapid tire wear. Not enough weight (truck frame too high) will cause wheel spin and poor braking (see Fig. 4-3). If necessary, adjust the Spacer thickness to achieve the proper tire cap on the Installation Rails.

Figure 4-3

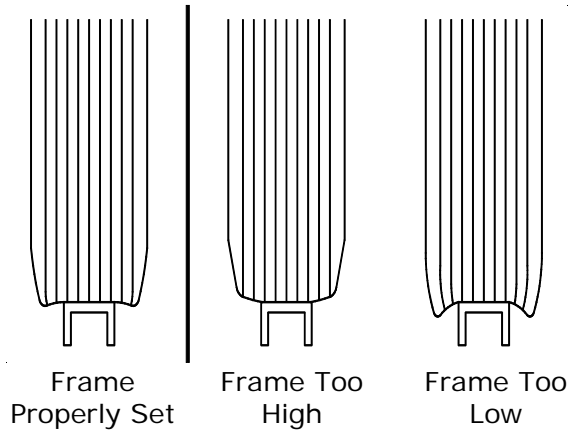
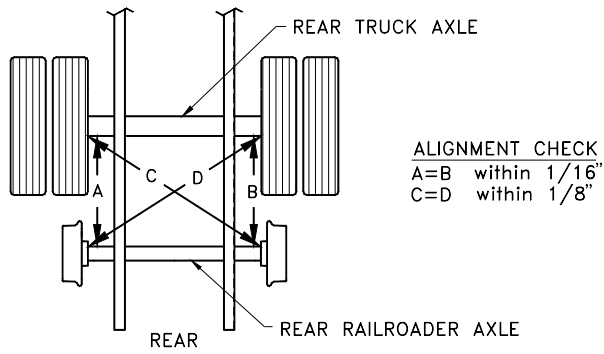


Figure 4-4



4.3 Square Rear Railroader with Truck Axle

Once the proper height and tire-to-rail gear location has been achieved, the Rear Railroader needs to be made absolutely square with the rear truck axle. Four measurements (shown in Figure 4-4) need to be taken to insure this requirement:

- (1) The distance from the truck axle to the Rear Railroader Axle at each end. In Figure 4-4, distance "A" must be equal to "B" (within 1/16"). This is an important alignment check.
- (2) The diagonal from the truck axle to the opposite Rear Rail Wheel. In Figure 4-4, distance "C" must be equal to "D" (within 1/8").

NOTE:

Although the previous mounting conditions and alignment may be met, be certain that enough room exists between the Rear Railroader and other equipment. In general, this should include a 2" clearance around the rail gear (more clearance will be needed if Remote Pin-offs are installed). Also insure that there is clearance to remove the Pin-Offs from their holes.

4.4 Final Rear Installation

NOTE:

If more than 1/16 inch of space exists between the truck frame and the Rear Frame Bracket on each side, it will be necessary to install shim plates to center the Railroaders. These should be 12" x 12" shims of the proper thickness with equal thickness used on each side... These can be fabricated or DMF shim plates may be used.

Using the Mounting Plate as a drill template, drill four 5/8" holes through the truck frame. Locate the Mounting Plate so as to allow for maximum adjustment of the Rear Frame Bracket (see Figure 4-5). Bolt the Mounting Plate to the Rear Frame Bracket (through the shims if required) and truck frame with 5/8-11 Grade 5 bolts & nylock nuts. Tack weld the Mounting Plate to the Rear Frame Bracket. If re-adjustment is later needed, the welds may be ground off & the Rear Frame Bracket slid up or down by loosening the bolts in the slots. Also tack the Spacer into place as shown in Figure 4-6.

Figure 4-5

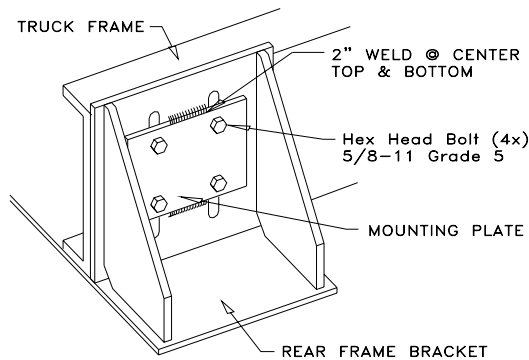
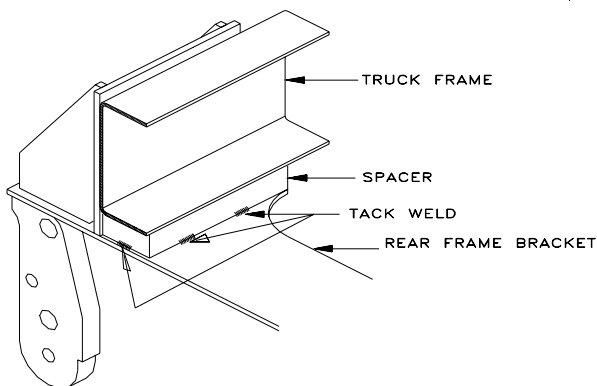


Figure 4-6



Drawing: Rear Railgear Assembly with Manual Pin-offs

ITEM	PART NO.	QTY	DESCRIPTION
1	14874	1	WHEEL & AXLE ASSY., REAR W/ANTI-ROTATION PIN ON LH
2	10705	(REF.)	REAR LINK AND CYL. ASSY. (SEE NOTE #1)
3	10220	(REF.)	REAR MOUNTING BRACKET ASSY. (SEE NOTE #2)
4	10047	2	REAR MOUNTING BRACKET PLATE
5	10240	2	PIN DETAIL, CYLINDER
6	10250	2	PIN ASSY., REAR UPPER MOUNTING
7	10251	2	PIN ASSY., REAR LOWER MOUNTING
8	818127	4	NUT, SLOTTED HEX (SLHN 1"-8)
9	818248	8	CUTTER PIN 3/16" x 2"
10	818289	4	WASHERS, FLAT 3/4"
11	818256	4	NUT, SLOTTED HEX (SLHN 1-1/4"-7)
12	818258	4	CUTTER PIN 3/4" x 2-1/2"
13	818163	(REF.)	PIN-OFF ASSY., REAR (3/4") LH (SEE NOTE #3)
14	818164	(REF.)	PIN-OFF ASSY., REAR (3/4") RH (SEE NOTE #3)

NOTE: SEE PAGE # 28 FOR MORE INFORMATION ON REAR MOUNTING BRACKETS

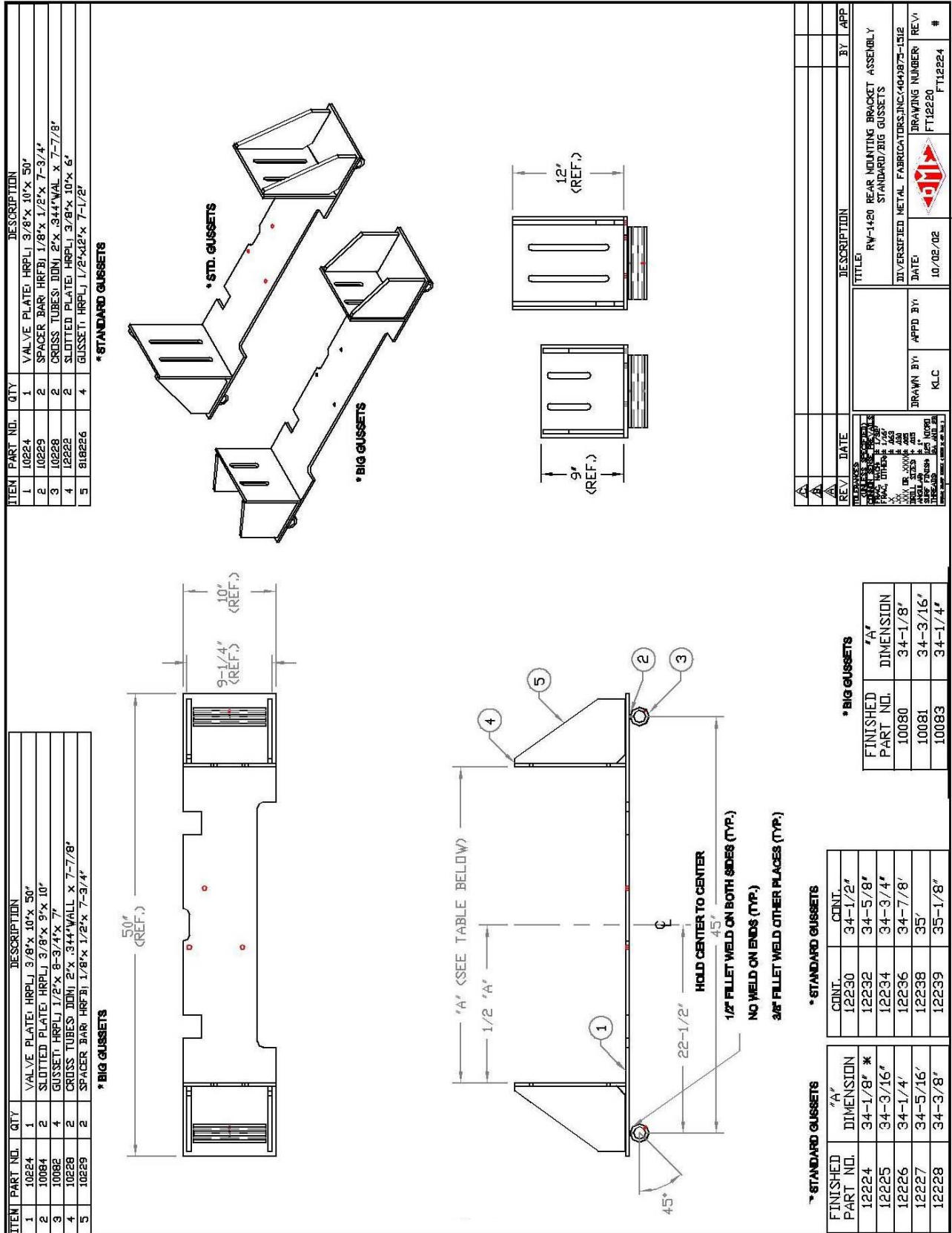
NOTE: SEE PAGE #S 27 & 28 FOR MORE INFORMATION ON LINKS (VARIATIONS & DIMENSIONS).

NOTE: ITEM #S 13 & 14 ARE COMPONENTS OF ITEM #2

REV	DATE	DESCRIPTION	BY	APP

TITLE: RW-1420 REAR RAILGEAR ASSEMBLY TYPICAL REAR W/MANUAL PIN-OFFS	
DRAWN BY: KLC	APP'D BY:
DATE: 09/04/01	REV:
DRAWING NUMBER: FTL4850A	#

Drawing: Rear Mounting Brackets



Drawing: Manual & Remote Pin-offs and Cables

ITEM	PART NO.	QTY	DESCRIPTION
1	NOTE 1	1	REMOTE PIN-OFF CABLE (HORSE)
2	818563	1	REMOTE PIN-OFF MOUNTING PLATE
3	818586	1	REMOTE PIN-OFF ASS'Y. (3-3/8"X1019/1212/1420)
4	10772	1	LONG UPPER DRIVER REAR REMOTE LINK
5	10773	1	LONG UPPER PASSENGER REAR REMOTE LINK
6	10774	1	SHORT UPPER DRIVER REAR REMOTE LINK
7	10775	1	SHORT UPPER PASSENGER REAR REMOTE LINK
8	10776	1	X-SHORT UPPER DRIVER REAR REMOTE LINK
9	10777	1	X-SHORT UPPER PASSENGER REAR REMOTE LINK
10	818571	1	REMOTE PIN-OFF "T" HANDLE* (HORSE)

REPLACEMENT CABLES	P/N	LENGTH
	818581	30"
	818577	41"
	818576	50"
	818575	64"
	818578	78"
	818579	97"
	818580	120"

REMOVAL KIT PARTS	DESCRIPTION
10740	LONG LINKS W/97" CABLE
10741	LONG LINKS W/78" CABLE
10742	LONG LINKS W/64" CABLE
10743	SHORT LINKS W/97" CABLE
10744	SHORT LINKS W/78" CABLE
10745	SHORT LINKS W/64" CABLE
10746	X-SH. LINKS W/97" CABLE
10747	X-SH. LINKS W/78" CABLE
10748	X-SH. LINKS W/64" CABLE

NOTE #2
KIT INCLUDES ALL PARTS NEEDED TO CONVERT MANUAL P/O'S TO REMOTE CABLE OPERATED P/O'S

NOTE #1
SPECIFY THE CABLE THAT BEST FITS YOUR APPLICATION.

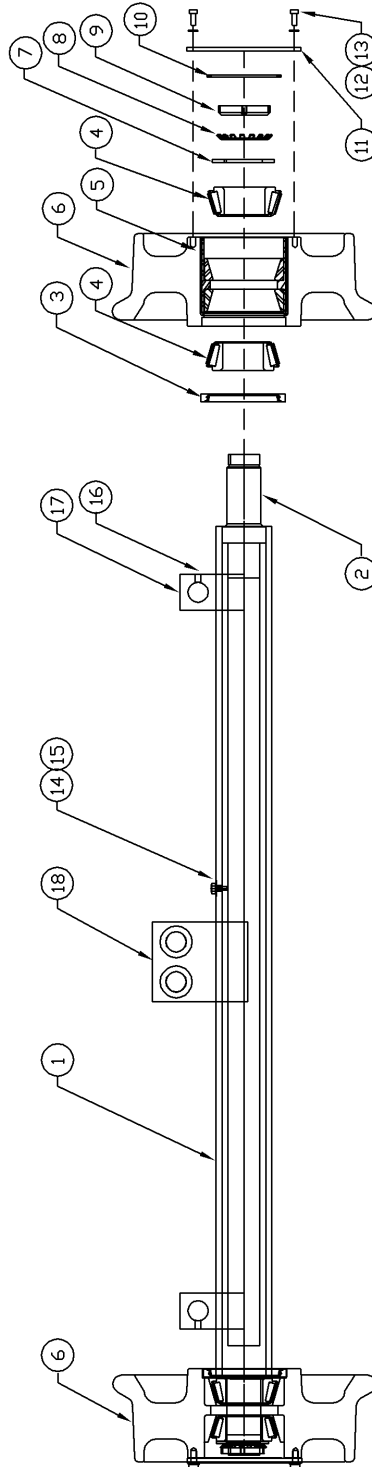
REV	DATE	DESCRIPTION	BY	APP
A				

<p>NOTE #3 P/N 818542 CONVERTS REMOTE CABLE PIN-OFFS TO REMOTE AIR OPERATED PIN-OFF ASSEMBLY</p> <p>1/2" LOCK WASHER (2) PLCS. 1/2"-18 HEX NUT (4) PLCS. P/N 818595 AIR CYLINDER 818599 5/8" INTERNAL LOCK WASHER P/N 818596 5/8" C JAM NUT P/N 818598 (2) 1/4" HEX NUT</p>	<p>NOTE #4 CONVERTS REMOTE CABLE PIN-OFFS TO REMOTE AIR OPERATED PIN-OFF ASSEMBLY</p> <p>1/2" LOCK WASHER (2) PLCS. 1/2"-18 HEX NUT (4) PLCS. P/N 818595 AIR CYLINDER 818599 5/8" INTERNAL LOCK WASHER P/N 818596 5/8" C JAM NUT P/N 818598 (2) 1/4" HEX NUT</p>
--	---

<p>REVISIONS</p> <p>DATE: 10/06/98 BY: KLC APP: [Signature]</p>	<p>DESCRIPTION</p> <p>TITLE: RW-1420 REMOTE CABLE PIN-OFF ASSEMBLY NOTE: RE-TO-FIT KIT GENERIC DRAWING</p> <p>DIV: DIVERSIFIED METAL FABRICATORS, INC. 144975-1312</p> <p>DATE: 10/06/98</p> <p>DRAWN BY: KLC</p> <p>APP'D BY: [Signature]</p> <p>DRAWING NUMBER: FT1450A</p> <p>REV: #</p>
--	--

Drawing: Rear Wheel and Axle Assembly – Exploded View

ITEM	PART NO.	QTY	DESCRIPTION
1	12890	1	AXLE & TUBE ASSY., REAR WELDMENT, NO BRAKES
2	12605	1	HEAVY DUTY AXLE DETAIL
3	12592	2	SEAL, STANDARD (CR34868)
4	12591	4	BEARING CONE (HM-807049)
5	12590	4	BEARING RACE (HM-807010)
6	14521	0or1	WHEEL, IPC INS., w/RACES INSTALLED, PRIOR TO 9/2004
	14517	1or2	WHEEL, NON-INS. NO BRAKES, INSTALLED, POST 9/2004
7	12596	2	WASHER, AXLE TONGUE (K-91510)
8	12598	2	WASHER, AXLE TAB CWH-10
9	12595	2	NUT, AXLE HEX (TN-10)
10	12586	2	INSULATOR RING, AXLE (INSULATED APPLICATION ONLY)
11	12560	2	HUBCAP DETAIL (5-1/8"dia.)
12	800108	8	HUBCAP BOLTS (5/16"-18 x 3/4")
13	800109	8	HUBCAP LOCKWASHERS (3/4")
14	12564	1	PIN - ANTI-ROTATION
15	12566	1	WASHER, LOCK - ANTI-ROTATION
16	818294	2	GREASE FITTING (1613-B)
17	12696	2	REAR AXLE SADDLE
18	818216	2	CYLINDER ROD BRACKET DETAIL



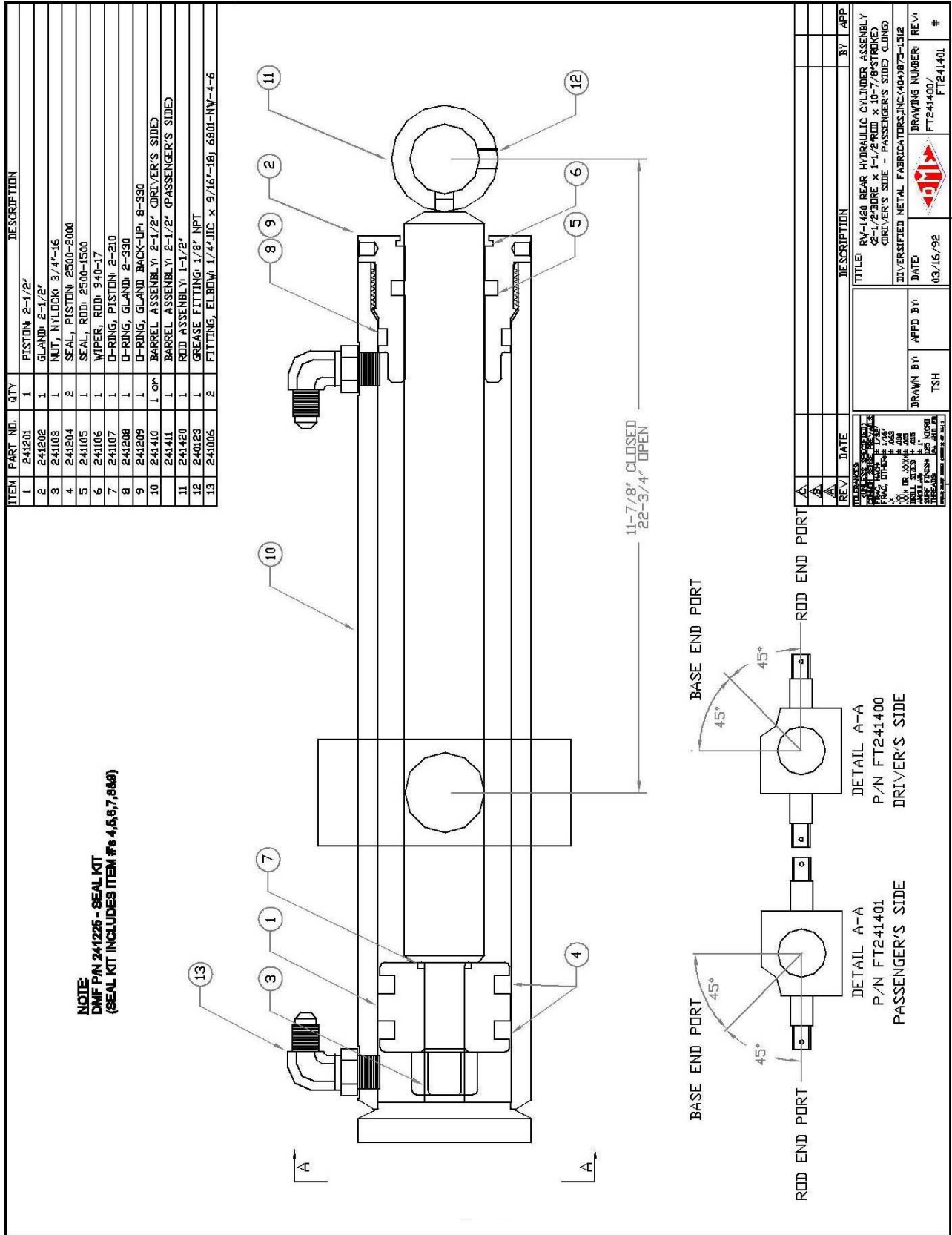
INSULATED WHEEL
DRIVER'S SIDE

NON-INSULATED WHEEL
PASSENGER'S SIDE

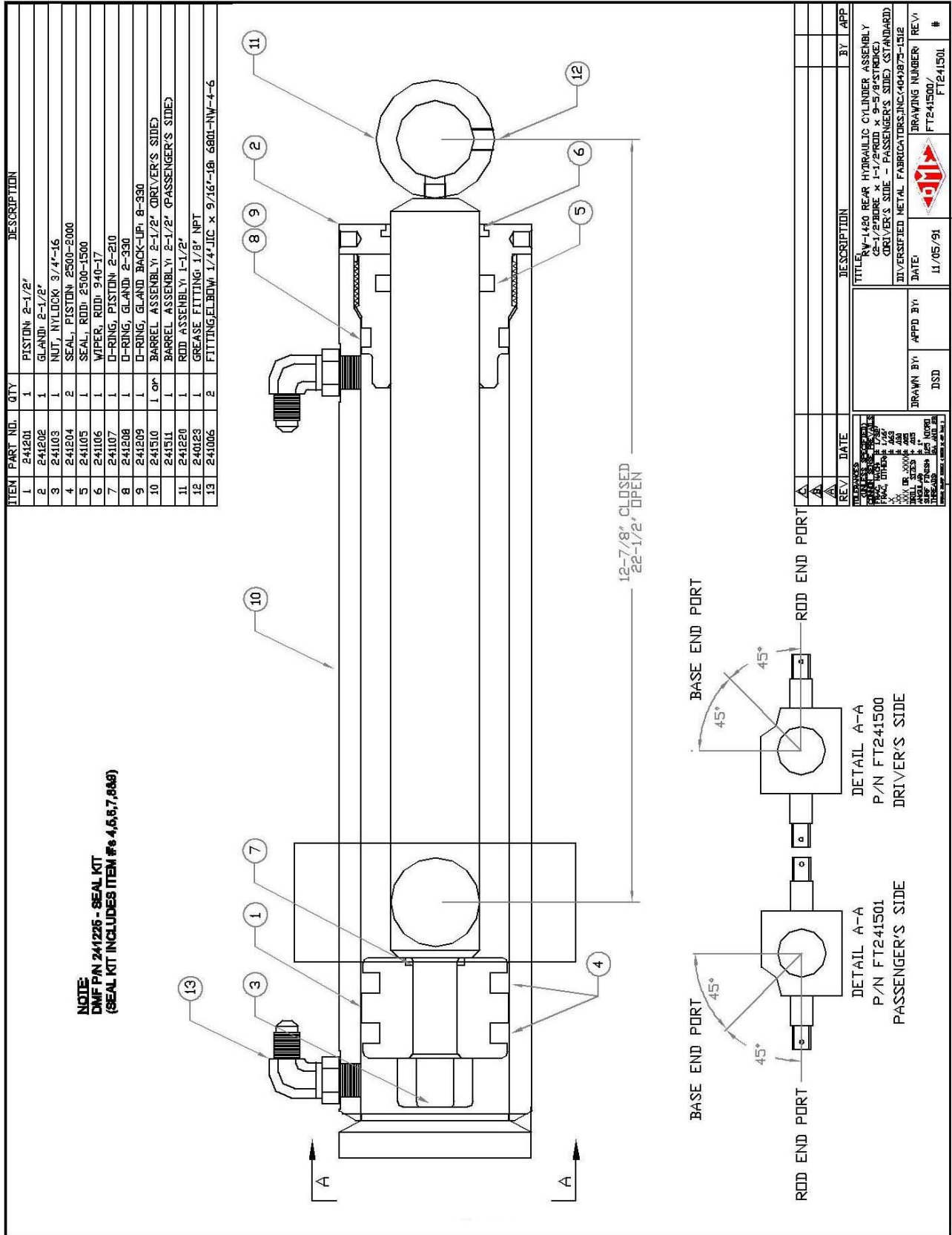
REV	DATE	DESCRIPTION	BY	APP	SEW
A	7/19/05	ADDED 2PC INSULATED WHEEL (14517)			

TITLES: RVM-1420 WHEEL & AXLE ASSY., REAR INSULATED (SHOWN) & NON-INSULATED	
DRAWN BY: MRV APP'D BY: TSH	DATE: 12/05/97 DRAWING NUMBER: FT14876

Drawing: Rear Hydraulic Cylinders I



Drawing: Rear Hydraulic Cylinders I I



4.5 Rear Link Variations

Manual Pin-off with Standard Lower Links

Link Kit	Position	P/N	(BO)
Short Links 10717	Upper Front Passenger	10765	10234
	Upper Front Driver	10764	"
	Upper Rear Passenger	10767	"
	Upper Rear Driver	10766	"
	Lower Front Passenger	10233	10233
	Lower Front Driver	10233	"
	Lower Rear Passenger	10783	"
	Lower Rear Driver	10782	"
Link Kit	Position	P/N	(BO)
Long Links 10715	Upper Front Passenger	10761	10231
	Upper Front Driver	10760	"
	Upper Rear Passenger	10763	"
	Upper Rear Driver	10762	"
	Lower Front Passenger	10230	10230
	Lower Front Driver	10230	"
	Lower Rear Passenger	10781	"
	Lower Rear Driver	10780	"
Link Kit	Position	P/N	(BO)
X-Short Links 10719	Upper Front Passenger	10769	10236
	Upper Front Driver	10768	"
	Upper Rear Passenger	10771	"
	Upper Rear Driver	10770	"
	Lower Front Passenger	10235	10235
	Lower Front Driver	10235	"
	Lower Rear Passenger	10785	"
	Lower Rear Driver	10784	"

Manual Pin-off with Slotted Lower Links

Link Kit	Position	P/N	(BO)
Short Links 10718	Upper Front Passenger	10765	10234
	Upper Front Driver	10764	"
	Upper Rear Passenger	10767	"
	Upper Rear Driver	10766	"
	Lower	10245	10233
Link Kit	Position	P/N	(BO)
Long Links 10716	Upper Front Passenger	10761	10231
	Upper Front Driver	10760	"
	Upper Rear Passenger	10763	"
	Upper Rear Driver	10762	"
	Lower	10243	10230
Link Kit	Position	P/N	(BO)
X-Short Links 10726	Upper Front Passenger	10769	10236
	Upper Front Driver	10768	"
	Upper Rear Passenger	10771	"
	Upper Rear Driver	10770	"
	Lower Front Passenger	10247	10235

Remote Pin-off with Standard Lower Links

Link Kit	Position	P/N	(BO)
Short Links 10722	Upper Front Passenger	10765	10234
	Upper Front Driver	10764	"
	Upper Rear Passenger	10775	"
	Upper Rear Driver	10774	"
	Lower Front Passenger	10233	10233
	Lower Front Driver	10233	"
	Lower Rear Passenger	10783	"
	Lower Rear Driver	10782	"
Link Kit	Position	P/N	(BO)
Long Links 10720	Upper Front Passenger	10761	10231
	Upper Front Driver	10760	"
	Upper Rear Passenger	10773	"
	Upper Rear Driver	10772	"
	Lower Front Passenger	10230	10230
	Lower Front Driver	10230	"
	Lower Rear Passenger	10781	"
	Lower Rear Driver	10780	"
Link Kit	Position	P/N	(BO)
X-Short Links 10724	Upper Front Passenger	10769	10236
	Upper Front Driver	10768	"
	Upper Rear Passenger	10777	"
	Upper Rear Driver	10776	"
	Lower Front Passenger	10235	10235
	Lower Front Driver	10235	"
	Lower Rear Passenger	10785	"
	Lower Rear Driver	10784	"

Remote Pin-off with Slotted Lower Links

Link Kit	Position	P/N	(BO)
Short Links 10723	Upper Front Passenger	10765	10234
	Upper Front Driver	10764	"
	Upper Rear Passenger	10775	"
	Upper Rear Driver	10774	"
	Lower	10245	10233
Link Kit	Position	P/N	(BO)
Long Links 10721	Upper Front Passenger	10761	10231
	Upper Front Driver	10760	"
	Upper Rear Passenger	10773	"
	Upper Rear Driver	10772	"
	Lower	10243	10230
Link Kit	Position	P/N	(BO)
X-Short Links 10725	Upper Front Passenger	10769	10236
	Upper Front Driver	10768	"
	Upper Rear Passenger	10777	"
	Upper Rear Driver	10776	"
	Lower Front Passenger	10247	10235

4.6 Rear Link Variations (with Tapered Links)

Manual Pin-off with Standard Lower Links

Link Kit	Position	P/N	(BO)
Short Links 10735	Upper Front Passenger	10765	10234
	Upper Front Driver	10764	"
	Upper Rear Passenger	10767	"
	Upper Rear Driver	10766	"
	Lower Front Passenger	10733	10732
	Lower Front Driver	10733	"
	Lower Rear Passenger	10787	"
	Lower Rear Driver	10786	"
Link Kit	Position	P/N	(BO)
Long Links 10695	Upper Front Passenger	10761	10231
	Upper Front Driver	10760	"
	Upper Rear Passenger	10763	"
	Upper Rear Driver	10762	"
	Lower Links	10750	10753
Link Kit	Position	P/N	(BO)
X-Short Links 10797	Upper Front Passenger	10769	10236
	Upper Front Driver	10768	"
	Upper Rear Passenger	10771	"
	Upper Rear Driver	10770	"
	Lower Links	10737	10739

Manual Pin-off with Slotted Lower Links

Link Kit	Position	P/N	(BO)
Short Links 10736	Upper Front Passenger	10765	10234
	Upper Front Driver	10764	"
	Upper Rear Passenger	10767	"
	Upper Rear Driver	10766	"
	Lower	10730	10732
Link Kit	Position	P/N	(BO)
Long Links 10697	Upper Front Passenger	10761	10231
	Upper Front Driver	10760	"
	Upper Rear Passenger	10763	"
	Upper Rear Driver	10762	"
	Lower	10755	10753
Link Kit	Position	P/N	(BO)
X-Short Links 10799	Upper Front Passenger	10769	10236
	Upper Front Driver	10768	"
	Upper Rear Passenger	10771	"
	Upper Rear Driver	10770	"
	Lower Front Passenger	10738	10739

Remote Pin-off with Standard Lower Links

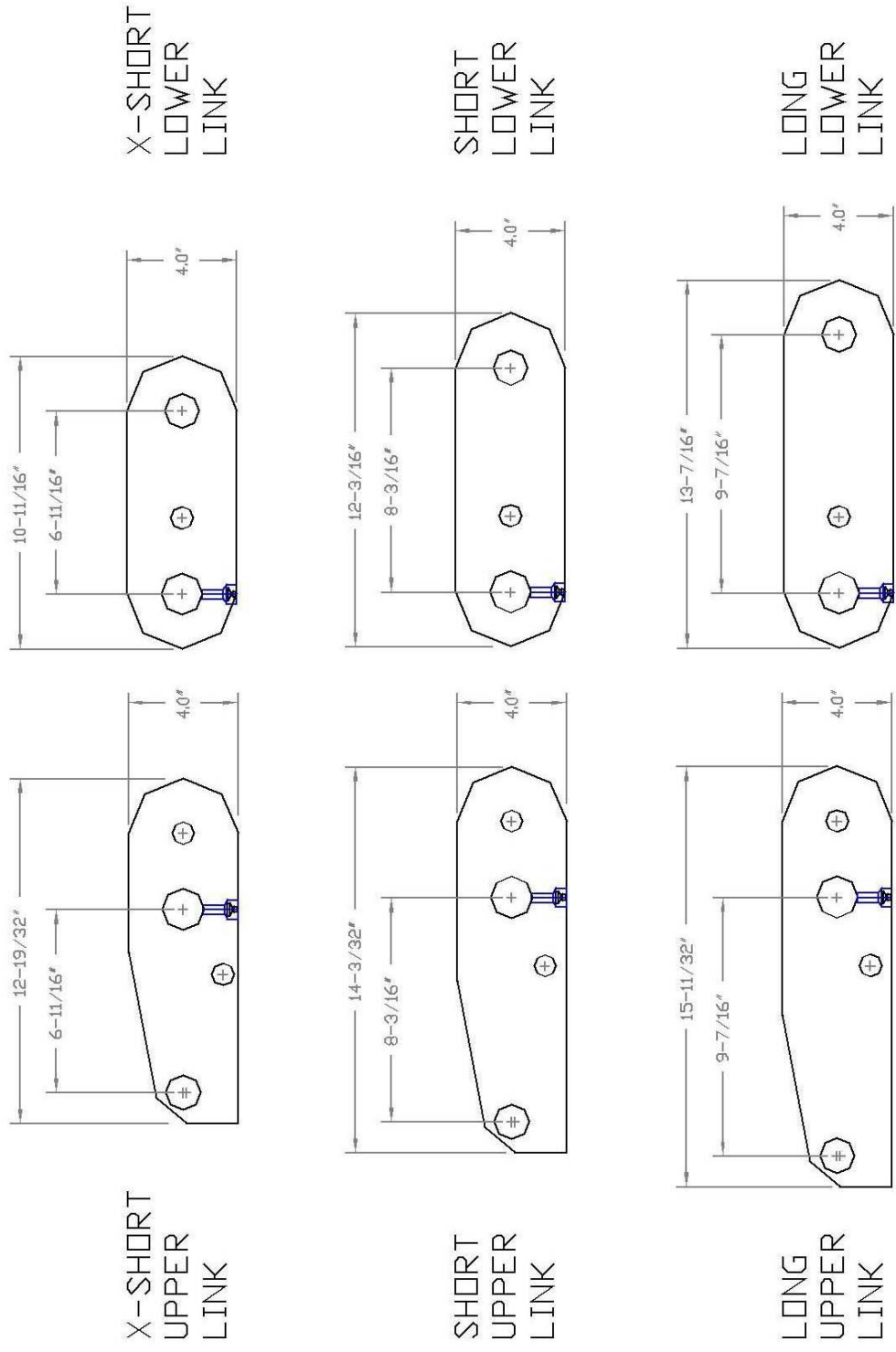
Link Kit	Position	P/N	(BO)
Short Links 10722	Upper Front Passenger	10765	10234
	Upper Front Driver	10764	"
	Upper Rear Passenger	10775	"
	Upper Rear Driver	10774	"
	Lower Front Passenger	10233	10233
	Lower Front Driver	10233	"
	Lower Rear Passenger	10783	"
	Lower Rear Driver	10782	"
Link Kit	Position	P/N	(BO)
Long Links 10720	Upper Front Passenger	10761	10231
	Upper Front Driver	10760	"
	Upper Rear Passenger	10773	"
	Upper Rear Driver	10772	"
	Lower Front Passenger	10230	10230
	Lower Front Driver	10230	"
	Lower Rear Passenger	10781	"
	Lower Rear Driver	10780	"
Link Kit	Position	P/N	(BO)
X-Short Links 10724	Upper Front Passenger	10769	10236
	Upper Front Driver	10768	"
	Upper Rear Passenger	10777	"
	Upper Rear Driver	10776	"
	Lower Front Passenger	10235	10235
	Lower Front Driver	10235	"
	Lower Rear Passenger	10785	"
	Lower Rear Driver	10784	"

Remote Pin-off with Slotted Lower Links

Link Kit	Position	P/N	(BO)
Short Links 10723	Upper Front Passenger	10765	10234
	Upper Front Driver	10764	"
	Upper Rear Passenger	10775	"
	Upper Rear Driver	10774	"
	Lower	10245	10233
Link Kit	Position	P/N	(BO)
Long Links 10721	Upper Front Passenger	10761	10231
	Upper Front Driver	10760	"
	Upper Rear Passenger	10773	"
	Upper Rear Driver	10772	"
	Lower	10243	10230
Link Kit	Position	P/N	(BO)
X-Short Links 10725	Upper Front Passenger	10769	10236
	Upper Front Driver	10768	"
	Upper Rear Passenger	10777	"
	Upper Rear Driver	10776	"
	Lower Front Passenger	10247	10235

Drawing: Rear Link Dimensions

RW-1019-1212-1420 REAR LINK DIMENSIONS



RW-1019-1212-1420 REAR LINK DIMENSIONS

FT10230A

5.0 FRONT TO REAR ALIGNMENT

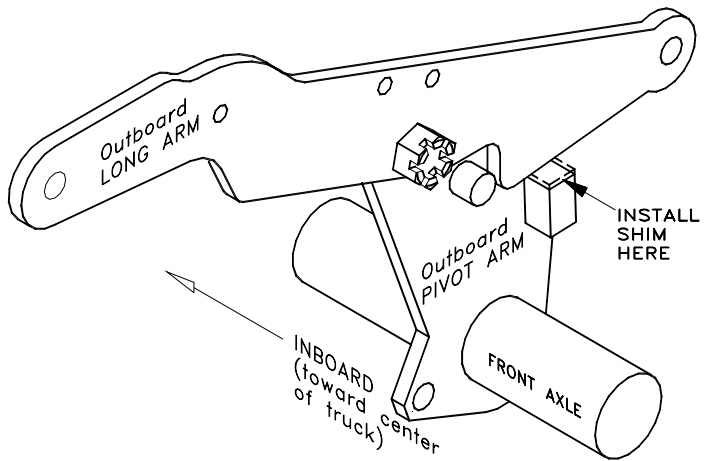
5.1 Final Alignment

- The rear guidewheel axle is set parallel to the rear drive axle first (see *Drawing: Alignment Procedure & Traction Adjustment*). With the guidewheels in the rail position, recheck the side and diagonal measurements to the drive axle housing. The side measurements should be within 1/16" and the diagonals within 1/8".
- **Loosen the mounting bolts and slide the mounting bracket as necessary. Tighten the bolts.**
- The front guidewheel axle must be set square to the rear guidewheel axle: diagonally measure from the right front guidewheel to the left rear guidewheel ("D-1") then from the left front guidewheel to the right rear guidewheel ("D-2").
- These measurements must be within 1/4 inch. Measure from the left front guidewheel to the left rear guidewheel ("C-1") then from the right front guidewheel to the right rear guidewheel ("C-2"). These measurements must be within 1/8 inch.
- If "D-1" and "C-2" are shorter than "D-2" and "C-1", shim the right front railwheel forward. The left front guidewheel should be shimmed forward in the opposite case. These shims can be flat bar located between the bottom of the long arms and the welded stop block on the pivot arms.
- If the "C" dimensions are equal and the "D" dimensions are not, the front guidewheel axle can be slid to the side (within space limitations) to help equalize these dimensions. Maintain a minimum 1/4" gap between the guidewheel and the inside of the steering tire.
- Start with a 1/8th inch shim and place it between the stop block (welded to the pivot arm) and bottom of the stationary arm near the axle mounting bracket. All four pivot arms have stop blocks. Add shims as required so the load is carried by all blocks. When the proper spacer thickness has been found to square the guidewheels, tack each shim to the top of its stop block (per drawing below).
- If equipped with railsweeps, rotate each front axle tube half until the railsweep rubber is vertical. Weld (three 1/2" tacks) each axle tube half to its outside pivot arm. The inside pivot arms are not welded (allowing cylinder removal).
- After the Front and Rear Railroaders have been properly aligned, complete structural welds may be applied at these locations that were previously only tacked:
 - On the Front Railroader, between the Frame Mounting Bracket and Frame (or Frame Extensions, if required)
 - On the Front Railroader, between the Axle Tube and outside Pivot Arms (a continuous weld on the inboard side of the outside Pivot Arm is required)

NOTE:

For all structural welds, either low hydrogen rod or dual shield Mig wire should be used (refer to Appendix).

Figure 5-1



Drawing: Alignment Procedure and Traction Adjustment

INSPECTOR		DATE	
SPECIFICATION	S/B = to	SPECIFICATION	TOLERANCES
A-1	=	A-2	± 1/16"
B-1	=	B-2	± 1/8"
C-1	=	C-2	± 1/8"
D-1	=	D-2	± 1/4"



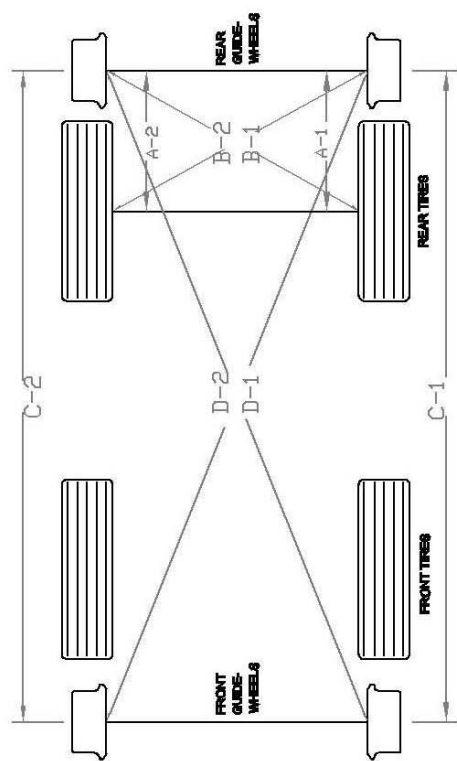
ALIGNMENT PROCEDURE

A) STEPS 1) and 2) must be completed in listed order and are assumed to be within specifications and should only be addressed, if after alignment of the railgear, excessive flanging occurs.

- 1) Frame should be square, to within 1/8" maximum, on the diagonal.
- 2) Rear drive axle should be square to frame within 1-1/8" maximum on the diagonal to achieve 0° thrust angle. this should be checked by a qualified alignment shop.

B) The following procedure applies to shop or field inspection.

- 1) Check air pressure in all tires. tires should be inflated to the minimum rating of the wheel or tire.
- 2) Place vehicle on straight and level track, or 3" channel to simulate rail. Lower the railgear to the rail so that front to rear and diagonal measurements can be made. (Note: these measurements can be made from any convenient locations, as long as it stays consistent from side to side.
- 3) If diagonal measurement is out of tolerance, adjustment of the front railgear must be made. The procedure for this is as follows:
Place shim material between the flat on the pivot arm and where it comes into contact with the axle bracket assembly. The location for the shim is most accessible from behind the front railgear axle. Once proper shimming has been obtained, weld the shim into place on the pivot arm.



TRACTION ADJUSTMENT PROCEDURE

A) The rear railgear is rigid and normally does not require re-adjustment of the vertical height. In the event that adequate traction is not present, vertical adjustment can be made as follows:

- 1) Grind off the welds on the (2) four hole mounting plates at the rear mounting bracket.
- 2) Loosen the (8) rear bracket mounting bolts.
- 3) Lower the railgear supporting the railgear with a floor jack or with the unit itself.
- 4) Remove or add spacer shim material located between the bottom of the truck frame and the shelf on the rear mounting bracket. Add shim to decrease traction and remove shim to increase traction.
- 5) Re-tighten the rear mounting bracket bolts to 150 ft-lb. torque and re-tack the mounting plates to the bracket, and weld shims in.

REV	DATE	DESCRIPTION	BY	APP
TITLE: ALIGNMENT PROCEDURE & TEAR SHEET & TRACTION ADJUSTMENT PROCEDURES				
DRAWN BY: TSH		APPD BY:	DATE: 12/20/91	
DIVERSIFIED METAL FABRICATORS, INC. 1443975-1312		DRAWING NUMBER: FT1436		REV: #

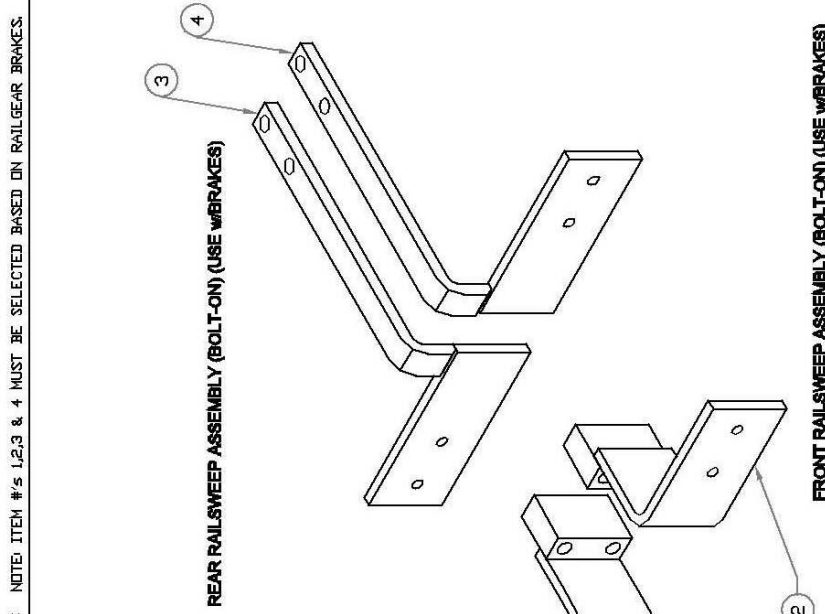
6.0 INSTALLATION OF OPTIONS

6.1 Rail Sweeps

The components that make up the standard Front and Rear Rail Sweeps are the same for Railroaders without any brakes. For Rail Sweeps provided with Cobra Brakes, the mounting brackets are shorter. Installation of Rail Sweeps is done while the Railgear is in the rail position. For standard Rail Sweeps (without brakes), weld the Mounting Bracket directly to the Railgear Axle Tube oriented so that the Rubber is flush with the rail as shown in the Railsweep Drawing. For Rail Sweeps with Cobra Hydraulic Brakes, bolt the shorter Mounting Bracket directly to the Brake structure (on the front: bolt on the side facing forward, on the rear: bolt to the top of the Air Brake which faces backward). For more information, see the Railsweep Drawing.

Drawing: Railsweep Assemblies and Variations

ITEM	PART NO.	QTY	DESCRIPTION
* 1	14474	1pc	MOUNTING BRACKET, FRONT, STANDARD WELD-ON
* 2	14475	1pc	MOUNTING BRACKET, FRONT, W/AIR BRAKES - BOLT-ON
* 3	14478	1pc	MOUNTING BRACKET, DRIVER'S REAR, W/AIR BRAKES BOLT-ON
* 4	14480	1	MOUNTING BRACKET, PASSENGER'S REAR, W/AIR BRAKES BOLT-ON
5	818501	1	RAIL SWEEP MOUNTING PLATE DETAIL
6	818503	1	RAIL SWEEP RUBBER PAD DETAIL
7	102408	4	BOLT, MOUNTING GHCS 3/8"-16 x 1-1/2"
8	818508	4	WASHER, FLAT (3/8")
9	818520	4	WASHER, LOCK (3/8")
10	818521	4	NUT, HEX HEAD (3/8"-16 UNC)



REAR RAILSWEEP ASSEMBLY (WELD-ON) (USE W/AIR BRAKES)

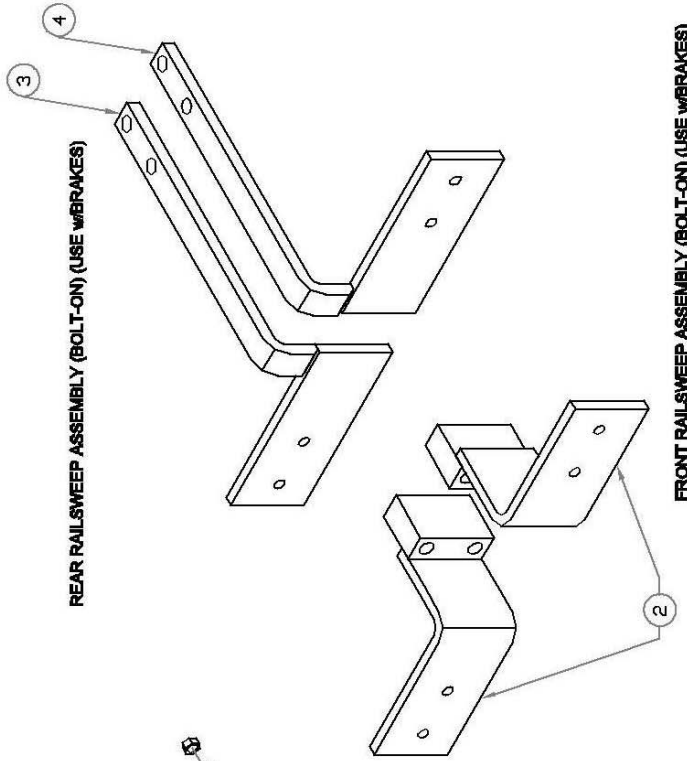
ITEM	PART NO.	QTY	DESCRIPTION
1	14481	1	RAILSWEEP ASSEMBLY, STANDARD - (2) PER AXLE
2	14482	1	RAILSWEEP, FRONT DRIVER'S SIDE W/AIR BRAKES
3	14483	1	RAILSWEEP, FRONT PASSENGER'S SIDE W/AIR BRAKES
4	14484	1	RAILSWEEP, REAR DRIVER'S SIDE W/AIR BRAKES
5	14485	1	RAILSWEEP, REAR PASSENGER'S SIDE W/AIR BRAKES

RAILSWEEP ASSEMBLY VARIATIONS

NOTE:

* NOTE: ITEM #s 1,2,3 & 4 MUST BE SELECTED BASED ON RAILGEAR BRAKES.

REAR RAILSWEEP ASSEMBLY (BOLT-ON) (USE W/AIR BRAKES)



FRONT RAILSWEEP ASSEMBLY (BOLT-ON) (USE W/AIR BRAKES)

REV	DATE	DESCRIPTION	BY	APP
A				

TITLE: RW-1420 RAILSWEEP ASSEMBLIES & VARIATIONS	
DRAWN BY: KLC	APP'D BY: KLC
DATE: 10/30/98	DRAWING NUMBER: FT1451
DIVERSIFIED METAL FABRICATORS, INC. 404975-1312	REV: #

6.2 Remote Pin/Off Pins

Reference *Drawing: Manual & Remote Pin-offs and Cables* in section 4.4.

Cable operated Pin-Offs are available on the Front (Single 3/4") or Rear (Dual 1"). The Front Cable Remote Pin-Offs weld onto either the outer or (preferably) inner Long Arms.

The Rear Remote Pin-Offs components are shown in the Pin/Off Drawing. The Rear Remote Pin-offs can be operated with a manual cable assembly or air actuated. Remove the 1/4-20 hex nut, 7/16-14 hex end cap, and the internal tooth lock washer. Slide the cable through the fixed pin off plate. Replace the internal tooth lock washer, 7/16-14 hex end cap, and the 1/4-20 hex nut. Add a 1/4" lock washer on the end of the cable, and screw the cable into the sliding pin plate. Tighten the 1/4-20 hex nut on to the lock washer and pin plate.

Mount two, cable handle, mounting plates (not supplied). These plates should have a 3/4" hole to attach the handle end of the cable to. This plate should be securely located near the rear rail wheel valve. Remove the "T" handle and the 5/8-11 hex end cap. Thread the cable through the mounting plate and replace the 5/8-11 hex end cap. Replace the T- handle on the cable.

6.3 Steering Wheel Locks

Carefully remove the face cover from the steering wheel. Position the Lock Bracket at the 12 o'clock position on the steering wheel hub. The "U" should be facing the speedometer, and at the lower edge of the steering wheel. The Lock Bracket should not interfere with any other part of the truck as the steering wheel is turned. Mark the hole locations and drill (2) 3/16" holes. Using the #10-24 flat socket head screws and the #10-24 nuts; attach the Lock Bracket.

Strap the Latch Weldment around the column and tighten until the clamp starts to grip. With the latch in the down position, move the Latch Pin into line with the Lock Bracket. There should be a 1/2" gap between the Lock Bracket and the Latch Weldment. Tighten the Latch Weldment hose clamp securely.

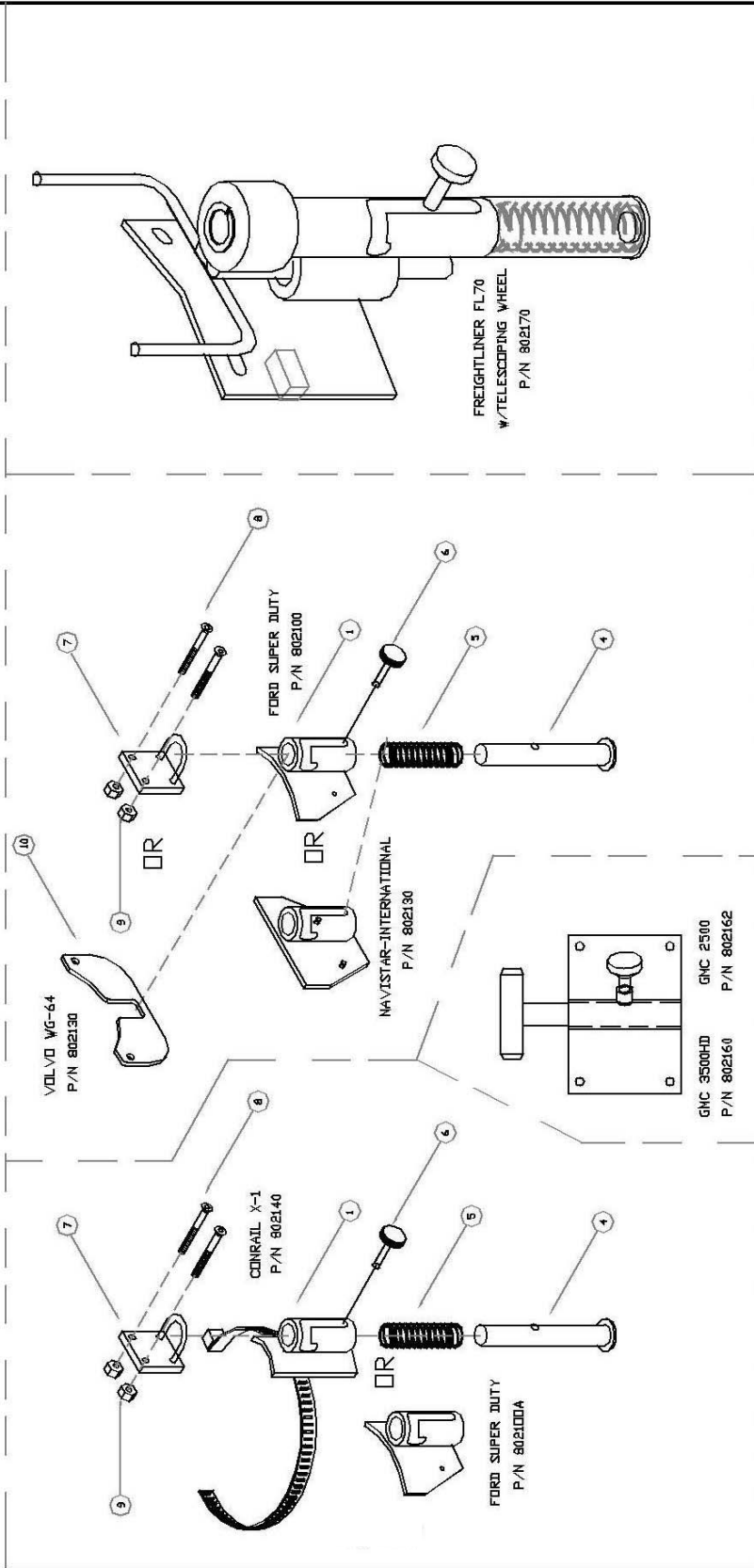
NOTE:

Check to be sure that nothing interferes with the normal operation of the steering wheel.
Check the operation of the latch for fit and operation with the Lock Bracket.

After making all necessary adjustments, drill a .125" hole through the column strap at the loose end, near the truck's turn signal. Use a 1/8" x 3/4" pop rivet to secure the column strap and the Latch Weldment into place. Replace steering wheel cover. For more information, see the Steering Wheel Lock Drawing.

Drawing: Steering Wheel Lock Assemblies

ITEM	PART NO.	QTY	DESCRIPTION OF PARTS	DESCRIPTION OF STEERING WHEEL LOCKS
1	802120	1	LATCH VELODENT, ROUND STEERING COLUMN	STEERING WHEEL LOCK TO FIT MOST SUPER DUTYS
2	802126	1	LATCH VELODENT, FLAT STEERING COLUMN	STEERING WHEEL LOCK TO FIT MOST SUPER DUTYS
3	802131	1	PIN VELODENT	STEERING WHEEL LOCK TO FIT MOST NAVISTARS
4	802105	1	LATCH SPRING	STEERING WHEEL LOCK TO FIT CONRAIL X-1 UNITS
5	802106	1	SCREW, THUMB	STEERING WHEEL LOCK TO FIT MOST VOLVO WG-64
6	802102	1	LOCK BRACKET	STEERING WHEEL LOCK TO FIT MOST GMC 2500
7	802107	2	BOLT (#10-24 X 1-3/4")	STEERING WHEEL LOCK TO FIT MOST FREIGHTLINERS
8	802108	2	NUT, HEX (#10-24)	STEERING WHEEL LOCK TO FIT MOST STERLING
9	802144	1	STEERING WHEEL PLATE FOR VOLVO WG-64	
10				
11				



REV	DATE	DESCRIPTION	BY	APP
1		STEERING WHEEL LOCK ASSYS. & VARIATIONS		
TITLE: STEERING WHEEL LOCK ASSYS. & VARIATIONS DRAWN BY: KLC APP'D BY: DATE: 11/11/98 DRAWING NUMBER: FTL480 REV: #				

DMF HAS A STEERING WHEEL LOCK TO FIT MOST TRUCKS.
THIS IS A JUST A SAMPLE OF WHAT WE CARRY.

NOTE:

There are two types of brakes available for the RW-1420 Railgear. Be sure to correctly identify which brake system you will be or are currently using.

Read all instructions and check that all required parts and Kits are included before beginning the installation. The proper installation of this equipment is solely the responsibility of you, the authorized installer. When in doubt, contact DMF for assistance.

6.4 Hydraulic Brake Connections

- Refer to *Drawing: Hydraulic System (Old Style)* and *Drawing: Hydraulic System (New Style)* in section 2.3 for more information. The wheels and brake assemblies are on the axles. The brake valving is pre-plumbed from the solenoid diverter valve through the brake relief valve.
- Attach the 48" braided steel hoses to the wheel cylinders on the brake assemblies. Run the lines along the outboard side of the pivot arms to the pivot pin. Leave a little slack hose looping around the front side of the pivot pin and run the hose up along the outboard side of the outboard long arms and over the top of each pair of long arms to the center of the vehicle. The hoses are attached to the long arms with "J" clips just above the pivot pins. These hoses are joined at the center of the vehicle, above the railgear with a brass tee. Connect the brake relief valve port marked "**FB**" to this tee with a 48" braided steel hose.

Four wheel brake kits only:

- Connect the rear pressure reducing valve port "**RB**" to the rear braided steel hose tee with the supplied 25' steel line. Shorten or coil the excess of this line as necessary. Tie-strap the upper end of the rear, braided hose to the center of the rear mounting bracket.

All Units with Optional Brakes:

- The brake control panel consists of a double pole, single throw switch and an indicator lamp. The lamp is connected to the switch by the red lead and is to be grounded by the black lead. Locate a suitable spot for the control panel.
- Connect the lamp ground to a location under the instrument panel. Connect the center terminals of the switch (the ones with the jumper wire) to the "cold" side of the stop lamp switch (at the brake pedal) with a wire tap connector.

NOTE:

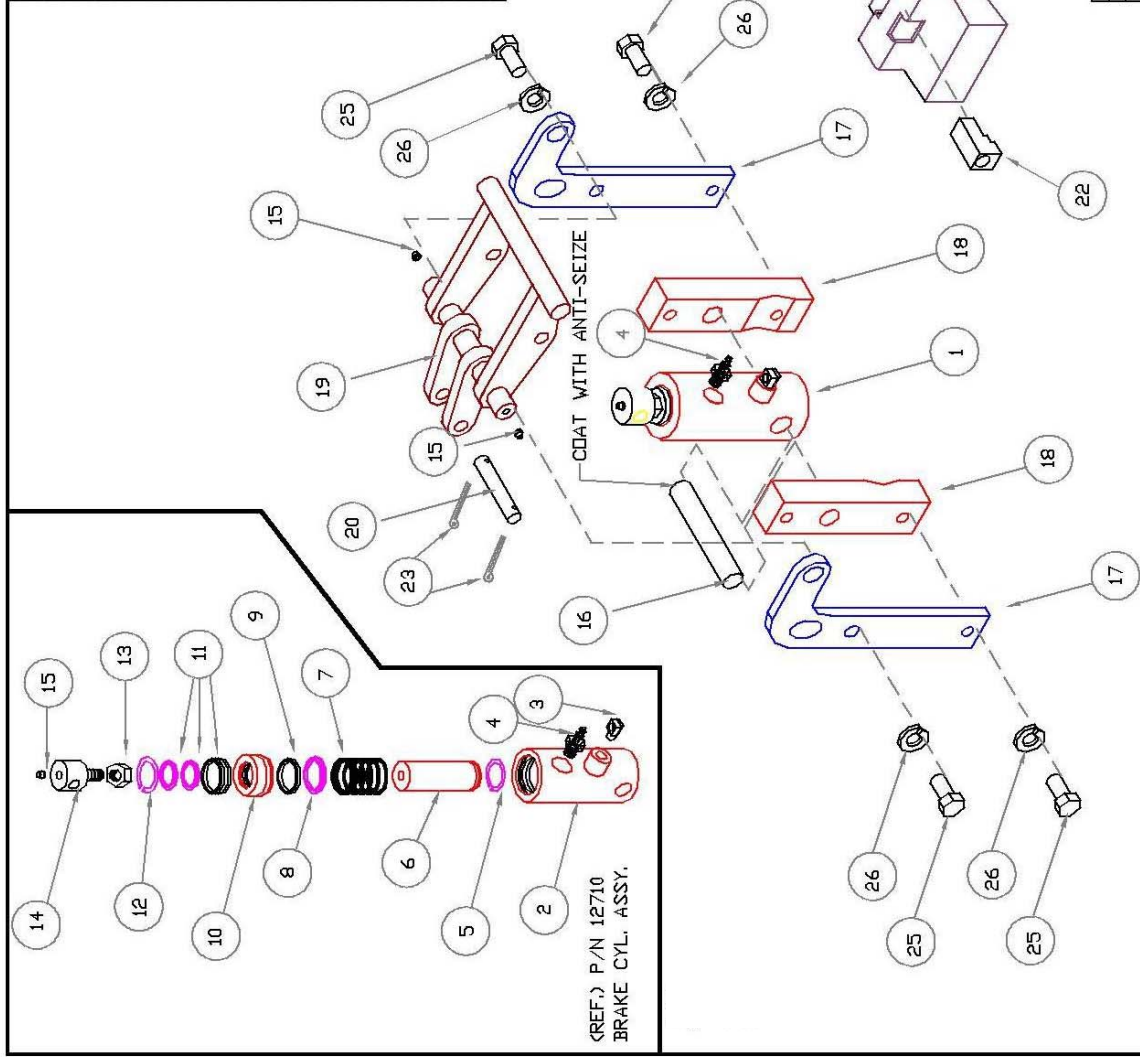
On Fords, connect the center terminals of the brake switch to the "C210" terminal under the instrument panel.

One of the two remaining terminals of the switch is wired out to the (grounding) control terminal on the power unit (the same one that the push button switches are wired to). The last terminal is wired out to the tab terminal on the brake solenoid diverter valve.

- When the control panel is properly wired, the indicator lamp will illuminate, the solenoid valve will spool (the coil will get warm), and the power unit will operate when the switch is in the "on" position and the brake pedal is depressed far enough to trip the stop lamp switch.
- While an assistant depresses the brake pedal, loosen the bleeder fitting at each brake until the air is expelled. As the system is bled, keep fluid in the reservoir to prevent pumping air back into the lines. Bleed each wheel once then repeat to make certain that all the air is bled out.

Drawing: Hydraulic Brake Assemblies

ITEM	PART NO.	QTY.	DESCRIPTION
1	12710	1	BRAKE CYLINDER, HYDRAULIC
2	12711	(REF.)	BRAKE CYLINDER TUBE DETAIL
3	12724	(REF.)	BRAKE CYLINDER FITTING (3/8x2)
4	12726	(REF.)	BRAKE CYLINDER BLEEDER SCREW (1/8x1/4x40/60)
5	12717	(REF.)	BRAKE CYLINDER EXTERNAL SNAP-RING (5/16-75)
6	12715	(REF.)	BRAKE CYLINDER ROD
7	12722	(REF.)	BRAKE CYLINDER O-RING (4x2-923)
8	12720	(REF.)	BRAKE CYLINDER O-RING (4x2-923)
9	12719	(REF.)	BRAKE CYLINDER O-RING (4x2-923)
10	12714	(REF.)	BRAKE CYLINDER SEAL/WIPER (S13525-90) (Gr. Eq.)
11	12725	(REF.)	BRAKE CYLINDER INTERNAL SNAP-RING (5/16x100-118)
12	12718	(REF.)	BRAKE CYLINDER LOCK NUT (1/4-20-24 UNF-TYPE C)
13	PUR.		
14	12716	(REF.)	BRAKE CYLINDER ROD EXTENSION
15	818105	(REF.)	BRAKE CYLINDER GREASE FITTING (1/4"-28NF)
16	818452	1	CYLINDER MOUNT SHAFT BRACKET
17	12745	2	COBRA BRAKE SADDLE (12") (COMES ON AXLE TUBE MOUNTMENT)
18	12755	2	BRAKE LEVER ARM ASSY. (12")
19	12760	1	BRAKE CYLINDER ROD PIN
20	12740	1	COBRA BRAKE SHOE (CUT-OFF V-265)
21	12742	2	BRAKE SHOE MOUNTING BLOCK
22	818436	3	CUTTER PIN (1/8")
23	12424	1	BRAKE SHOE PIN ASSY.
24	12478	1	BOLT, HEX HEAD (1/2"-13 x 1" Gr.8)
25	12481	4	WASHER, LOCK (1/2" Gr.8)
26	12477	1	RAILSWEEP ASSEMBLY (NOT SHOWN) ATTACHES TO ITEM #17
28			USING ITEM #25 & 26 MOUNTING HARDWARE



(REF.) P/N 12710
BRAKE CYL. ASSY.

REV.	DATE	DESCRIPTION	BY	APP.

TITLE		RW-1420 COBRA HYDRAULIC BRAKE ASSEMBLY	
DRAWN BY	APP'D BY	DIVERSIFIED METAL FABRICATORS, INC. (400) 875-1512	
MRV	TSH	DATE	05/05/97
		DRAWING NUMBER	FT14710
		REV.	

6.5 Air Brake Connections

Mechanical Installation

- Remove the guide wheels from the axle(s) to receive airbrakes.
- Remove the electric brake assemblies. The brakes are attached to the guide wheel axle tube with three one inch welds. Torch (or air-arc) the welds loose. Disconnect and remove the brake controller and wiring.
- Remove the front guide wheel steering guide bars. Torch off the 1-1/4" diameter guide bars that are welded to the guide wheel axle, pass over the guide wheel flange, and extend out beyond the tread rim.
- Grind the axle tube clean.
- Operate the guide wheels into the Hi-Rail position.
- **On the front axle**, the airbrake assemblies replace the steering guide bars. The brake assembly has a 1" diameter steering guide bar built-in. Remove the Cobra shoe from each assembly by unbolting the shoe retainer blocks from the pivot arm weldment. Refer to *Drawing: Air Brake Assembly*. Position the assembly vertically (over the guide wheel axle) and one inch in from the end of the axle tube. Refer to *Drawing: Air Brake Installation*. Tack the mounting plates to the axle tube. Refer to *Drawing: Air Brake Assembly*.
- **On the rear axle**, the airbrake assemblies are mounted on the rearward side and angled slightly below horizontal. Remove the Cobra shoe from each assembly by unbolting the shoe retainer blocks from the pivot arm weldment. Refer to *Drawing: Air Brake Assembly*. Position the brake assembly, one inch from the end of the axle tube and leave 1/8" clearance between the chamber and the lower scissors link. Refer to DWG 818402. Tack the mounting plates to the axle tube. Refer to *Drawing: Air Brake Assembly*. Weld the mounting plates to the axle tubes with 1/8 to 3/16" fillets.
- Install the guide wheels.
- Check for clearance.
- **On the front axle**, the brake assembly should be located vertically over the axle and vertically behind the wheel. The assembly should be roughly 1/4" clear of all parts of the wheel.
- **On the rear axle**, the assembly is angled slightly down from horizontal so that the chamber will clear the scissors link by 1/8". All other clearances to the wheel should be roughly 1/4".
- Replace the Cobra shoes in the brake assemblies.
- Adjust the chamber clevis until the shoe is just clear of the wheel.

Plumbing Installation

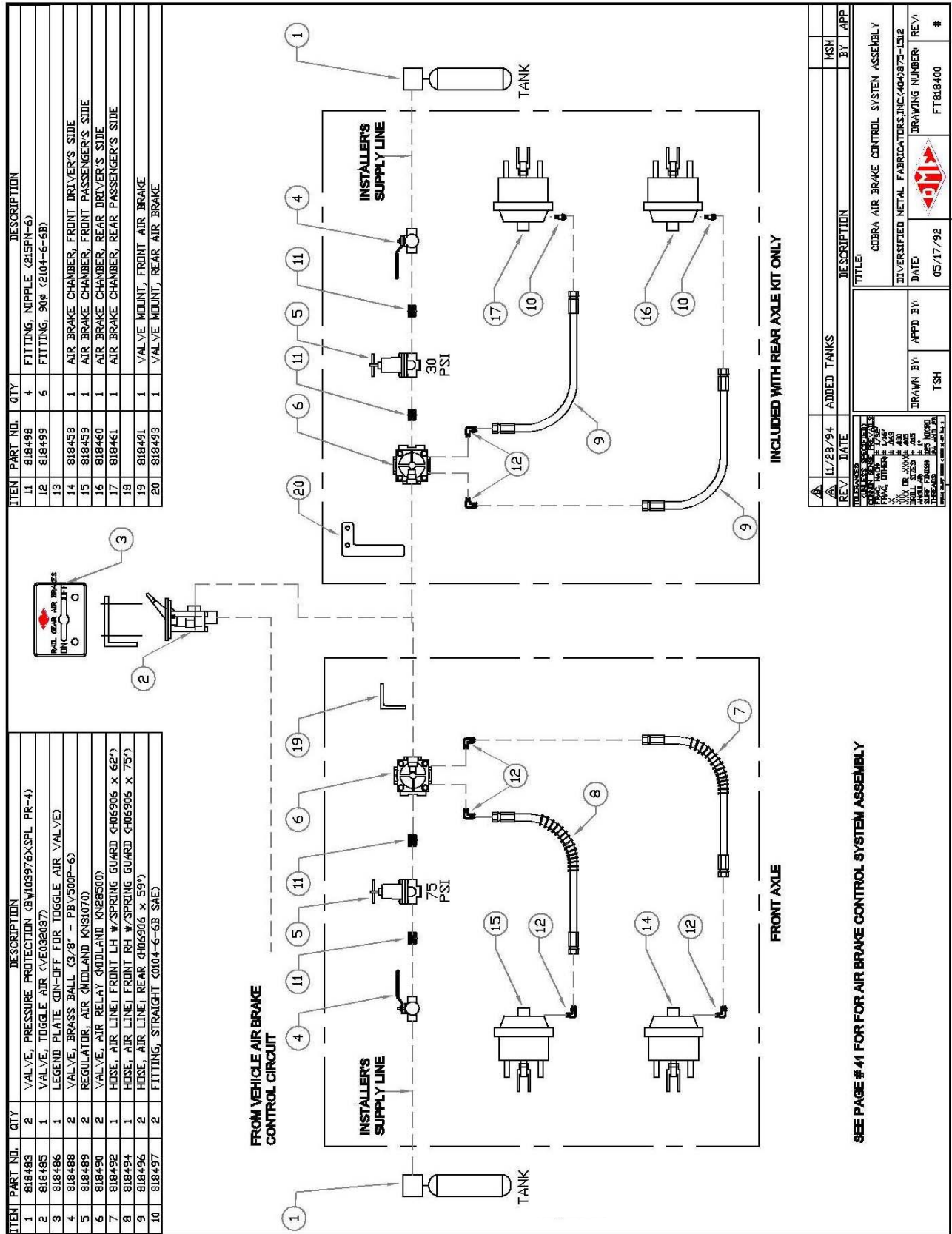
- An air toggle valve, labeled brakes "on/off", is located on the vehicle instrument panel. This valve disconnects the guide wheel braking system from the vehicle airbrake system by interrupting the CONTROL line air pressure to the guide wheel system only.
- Near the front (and rear, if equipped) guide wheel axle an airbrake relay valve will be located. The CONTROL line to this relay valve comes from the toggle valve described above. The SUPPLY line to this relay comes from the vehicle supply system or directly from the main air tanks.
- There is a ball valve and an adjustable pressure regulator in the SUPPLY line before the relay valve. The ball valve will disconnect the guide wheel braking system from the vehicle airbrake system (regardless of the position of the toggle valve) by interrupting the SUPPLY line air pressure to the guide wheel system only.
- The adjustable pressure regulator allows the braking effort on each axle set to be set so that the guide wheels do not lockup and slide.
- The guide wheel brake chambers are connected to the SERVICE ports on the guide wheel air brake relay valve. Install the airlines and valves per DMF instructions. Make certain that the valve assembly for the front indicates that it has been preset to 75 psi.

Testing

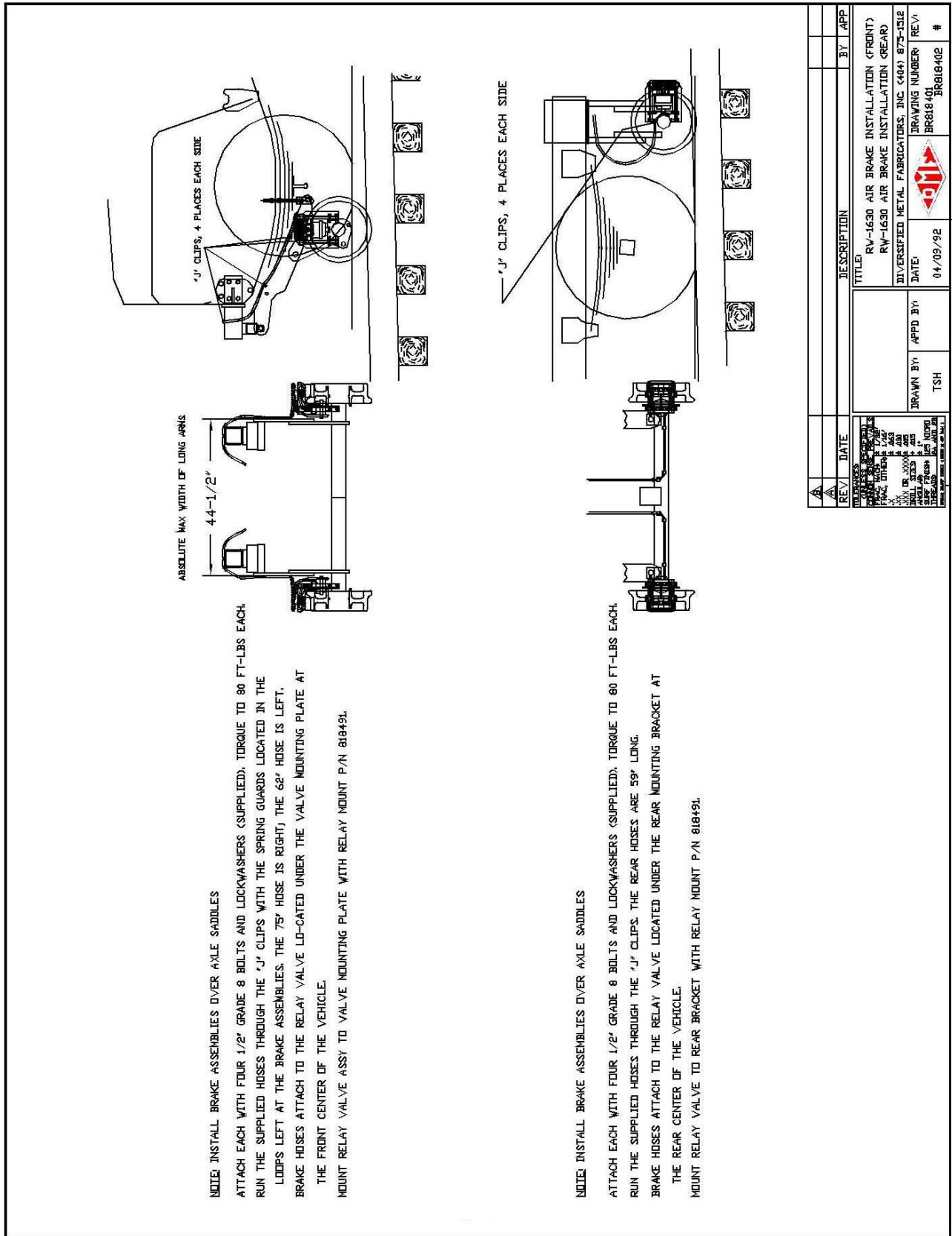
Put the vehicle on a test track. With the "on/off" toggle valve "on" and the ball valve(s) open, check that:

- The guide wheel brakes tightly clamp the rail wheel when the vehicle brake pedal is depressed.
- The brakes properly release when the brake pedal is released.
- The guide wheels do not slide when the guide wheel brakes are applied.

Drawing: Air Brake Control System Assembly



Drawing: Air Brake Installation



NOTE: INSTALL BRAKE ASSEMBLIES OVER AXLE SADDLES
 ATTACH EACH WITH FOUR 1/2" GRADE 8 BOLTS AND LOCKWASHERS (SUPPLIED), TORQUE TO 80 FT-LBS EACH.
 RUN THE SUPPLIED HOSES THROUGH THE "J" CLIPS WITH THE SPRING GUARDS LOCATED IN THE
 LOOPS LEFT AT THE BRAKE ASSEMBLIES. THE 75' HOSE IS RIGHT, THE 62' HOSE IS LEFT.
 BRAKE HOSES ATTACH TO THE RELAY VALVE LO-CATED UNDER THE VALVE MOUNTING PLATE AT
 THE FRONT CENTER OF THE VEHICLE.
 MOUNT RELAY VALVE ASSY TO VALVE MOUNTING PLATE WITH RELAY MOUNT P/N 818491.

NOTE: INSTALL BRAKE ASSEMBLIES OVER AXLE SADDLES
 ATTACH EACH WITH FOUR 1/2" GRADE 8 BOLTS AND LOCKWASHERS (SUPPLIED), TORQUE TO 80 FT-LBS EACH.
 RUN THE SUPPLIED HOSES THROUGH THE "J" CLIPS. THE REAR HOSES ARE 59' LONG.
 BRAKE HOSES ATTACH TO THE RELAY VALVE LOCATED UNDER THE REAR MOUNTING BRACKET AT
 THE REAR CENTER OF THE VEHICLE.
 MOUNT RELAY VALVE TO REAR BRACKET WITH RELAY MOUNT P/N 818491.

REV	DATE	DESCRIPTION	BY	APP
1	04/05/92	RW-1630 AIR BRAKE INSTALLATION (FRONT) RW-1630 AIR BRAKE INSTALLATION (REAR)		
DRAWN BY: TSH		APPD BY:		
DATE: 04/05/92		DRAWING NUMBER: BR818401		
REV: 1		REV: 1		
DRAWING NUMBER: BR818401		REV: 1		
DATE: 04/05/92		DRAWING NUMBER: BR818401		
REV: 1		REV: 1		

6.6 Instruction and Safety Decals

ITEM	PART NO.	QTY	DESCRIPTION
1	800190	1 ea.	P/N's 800113, 800114, 800116, 800118, 80019 & 800122
2		2 ea.	P/N's 800117 & 800135

CAUTION

SECURE RAILDOGS BEFORE OPERATING DUMP

RELEASE BEFORE TRAVEL

800122

SAFETY INSTRUCTIONS

Lock front wheels straight ahead for on-rail travel.

CAUTION

RELIEF VALVE SETTINGS: 2000 PSI, FRONT
1500 PSI, REAR
DO NOT exceed 2500 psi, front valve
DO NOT exceed 2000 psi, rear valve
DO NOT BOTTOM-OUT RELIEFS, IF ADJUSTED

CAUTION

WITH APPLICATION OF HI-RAIL AND FINISHED BODY, THIS VEHICLE HAS FOUNDS OF AVAILABLE PAYLOAD

DATE OF COMPLETION OF HI-RAIL EQUIPPED VEHICLE: MO ____ YR ____

CAUTION: THIS IMPROVED VEHICLE HAS SPECIAL DESIGN AND EQUIPMENT FOR OFF-ROAD USE. IT SHOULD BE OPERATED ONLY ON OFF-ROAD TERRAIN. DO NOT OPERATE THIS VEHICLE ON STREETS, HIGHWAYS, AND OFF-ROAD.

WEIGHT AND LOADING OF AVAILABLE PAYLOAD MAY ALSO AFFECT THE PERFORMANCE OF THIS VEHICLE. ALWAYS USE THE WEIGHT LIMITS AND LOAD CAPACITY LISTED AT ALL TIMES.

FOR PRECAUTIONS, READ THE VEHICLE OPERATOR'S GUIDE AND HI-RAIL OPERATOR SERVICE AND PARTS MANUAL.

SAFETY

FIRST CAREFUL WORKER IS THE BEST SAFETY DEVICE. THINK FIRST.

INSTRUCTIONS-

1. REMOVE SAFETY PINS
2. ACTIVATE VALVE
 - A. PUSH- RAIL POSITION
 - B. PULL- HIGHWAY POSITION
3. REPLACE SAFETY PINS IN PROPER LOCATION.

800117

CAUTION

RELIEF VALVE SETTINGS: 2000 PSI, FRONT
1500 PSI, REAR
DO NOT exceed 2500 psi, front valve
DO NOT exceed 2000 psi, rear valve
DO NOT BOTTOM-OUT RELIEFS, IF ADJUSTED

INSTRUCTIONS-

1. REMOVE SAFETY PINS
2. ACTIVATE VALVE
 - A. PUSH- RAIL POSITION
 - B. PULL- HIGHWAY POSITION
3. REPLACE SAFETY PINS IN PROPER LOCATION.

800117

INSPECTION AND MAINTENANCE OF D.M.F. GUIDE WHEEL SYSTEM

DAILY:
Visually inspect roll gear for hydraulic leaks, loose fasteners, and excessive wear.
Spin all four wheels noting any bearing noise or resistance.
Check level of hydraulic oil.
Compare left and right wheels for wear (particularly diagonal flanges).
WEEKLY:
Grease all fittings on roll gear.
Fourteen (14) on front assembly.
Inspect the bearing grease every 2,000 miles or 6 months (whichever comes first).
Inspect bearings and grease cavity by removing hubcaps. Unless bearing problem is suspected, the bearings do not need to be removed or repacked. If repacking is required, the grease cavity should be only 80% filled with suitable grease. Replace hubcaps using a bead of Form-A-Gasket (or equal).
ANNUALLY:
Change hydraulic oil filter element.

ATLANTA, GA
800114

OPERATION OF D.M.F. GUIDE WHEEL SYSTEM

TO PLACE VEHICLE ON RAIL

1. Drive vehicle in crossing, centering it over track.
2. Disc centered over tracks, remove front and rear safety pins
3. Lower rear wheels first.
 - A. If rear is not completely centered (within 4") rear roll wheels will center track on rail.
3. With rear wheels fully extended and properly centered on rail, install safety pin into lower hole on both sides.
4. Center front roll wheels over rail.
 - A. If front is not completely centered over rail, reposition truck so that it is.
 - B. Front vehicle wheels must be straight ahead.
 - C. Lift front roll wheels until rollers are fully retracted. Front roll wheels incorporate operator design and do not require safety pins in rail position.
5. Double check all flanges to ensure they are seated properly on rail and safety pins are installed.
6. Engage steering (steer lock if equipped). Only crossing guards on rail will be governed by track conditions and existing railroad rules and regulations. Under no conditions should vehicle be operated over 31 MPH on track.

ATLANTA, GA
800114

REV	DATE	DESCRIPTION	BY	APP

DRAWN BY: KLC	APP'D BY:
TITLE: INSTRUCTION & SAFETY DECALS	DRAWING NUMBER: FT1452A
DIVERSIFIED METAL FABRICATORS, INC./404-875-1512	REV: #
DATE: 10/12/98	REV: #

7.0 FINAL CHECKLIST

- Rail test the truck to check for good traction and braking. A good industrial siding or some authorized track time will be required. Check that rail wheels with brakes do not lock-up or slide.
- Adjust the rail gear height as required
- Cross check the Rear Railroader to the rear axle again.
- Weld the Mounting Plate to the Rear Frame Bracket with one 2" weld on the horizontal edges (two welds per Mounting Plate). Welding the plates must be done; **DO NOT** forget it.
- Double check all welds and fasteners, and Mounting Pin cotters. Tie strap all hydraulic, air hoses and electrical wires away from exhausts and moving parts. Insure that all hydraulic and air hoses have sufficient radius at bends.
- Top off the hydraulic oil in the tank.
- Touch-up the black acrylic enamel paint on the Front and Rear Railroaders.
- Raise the Railroaders (road position) and install all of the pin-offs.
- Apply the Decal Kit.
- Check tire pressures.

DMF RW-1420 Railroader Installation Check Sheet

Front Alignment

Front Mounting Pin height:	23-1/2 inches
Rear Mounting Pin height:	10-3/4 inches

Rear Alignment

	Single Axle	Tandem Axle
Tire to Rail Wheel center:	13-1/4 inches	9-1/4 inches
Minimum Truck Frame extension:	19-1/4 inches	15-1/4 inches
Calculated Spacer thickness (w/ 6" spacer)	= (6.0" -GAP) x 60%	

Check overall measurements:

Rear Truck Axle to Rear Railroader Axle (straight)	A = B (within 1/16")
Rear Truck Axle to Rear Railroader Axle (diagonal)	C = D (within 1/8")
Front Railroader to Rear Railroader (straight)	E = F (within 1/8")
Front Railroader to Rear Railroader (diagonal)	G = H (within 1/4")

8.0 ENGAGING THE RAIL

8.1 Getting On the Rail

Lower rear guide-wheels first:

- At the track crossing, drive past the track, then back the vehicle onto the rails.
- Engage the truck's parking brake to prevent the truck from rolling.
- If the railgear has brakes, turn brake switch on.
- Engage the PTO.
- **Remove the safety pin-off pins (one each side).**
- Push / Pull valve handle to lower wheels to engage rail.
- When both wheels are fully down and properly engaging rail, **replace safety pin-off pins.**

NOTE:

Rear end can be articulated to facilitate alignment by operating one spool at a time.

Lower front guide-wheels:

- If necessary drive the truck into position to line up the front guide-wheels with the rail.
- Engage the PTO.
- **Remove the safety pin-off pins (one each side)** and stow in provided storage tubes.
- Check and make sure that the front guide-wheels line up with the rail, then engage wheels.

NOTE:

The front guide-wheel assembly is an over-center design and does not require safety pin-off pins engaged in the rail mode.

On the tracks:

- Do not exceed **30 MPH** while on the track. All railroad speed rules should be observed.
- Be aware that some high rail gear is insulated, and will not operate the crossing gate circuits.
- Reduce speed at all crossings, curves, branch lines, switches and frogs.
- Traction is reduced on the track. Tire damage may result from spinning wheels on track.
- Braking distance is increased on the track. Do not slide tires or guide-wheels on the tracks.
- **Do not exceed the maximum rated capacity of the equipment.**
- On newer trucks with Anti-Lock braking systems, the amber 'ABS' dash light may remain on with the front wheels elevated. This will not effect rear truck braking or rail wheel braking.

8.2 Getting Off the Rail

Removing truck from track:

- Engage the PTO and the truck parking brakes.
- Leave the truck running and the transmission in neutral gear.
- Lift both sets of railgear (there is no preference for removal order).
- **Engage the safety pin-off pins in highway position.**
- Disengage the switch that controls the railgear brakes (if applicable).
- Disengage the PTO before moving the truck.
- If the amber 'ABS' dash light remains on during rail operation, the truck engine must be turned off and restarted after returning to highway operation. This will clear the 'ABS' after a few seconds. If the amber light remains on during road operation, the truck's brake system may have an active fault and should be checked out. Please refer to the truck's operation manual.

9.0 ROUTINE MAINTENANCE

9.1 Inspection & Maintenance

Daily:

- Visually inspect for hydraulic fluid leaks.
- Check and make sure that all threaded fasteners are secured.

NOTE:

All hex nuts are either nylon insert or slotted hex nuts with cotter pins.

- Check and make sure all tie straps that secure hoses from moving parts and exhaust systems are in place. Replace if cracked or worn.
- Inspect wheel flanges for excessive wear, primarily noting difference in wear between wheels on the same axle or diagonally. If abnormal pattern is noted, check railgear alignment (see alignment procedure).

Weekly:

- Grease and lubricate all grease fittings on front and rear railgear and guidewheel assemblies.

NOTE:

There are six (6) locations on front assemblies and fourteen (14) locations on rear assemblies.

- Check level of hydraulic oil and all other fluids.
- Check air pressure in tires and inflate to proper inflation pressure (if necessary).

Bi-annually:

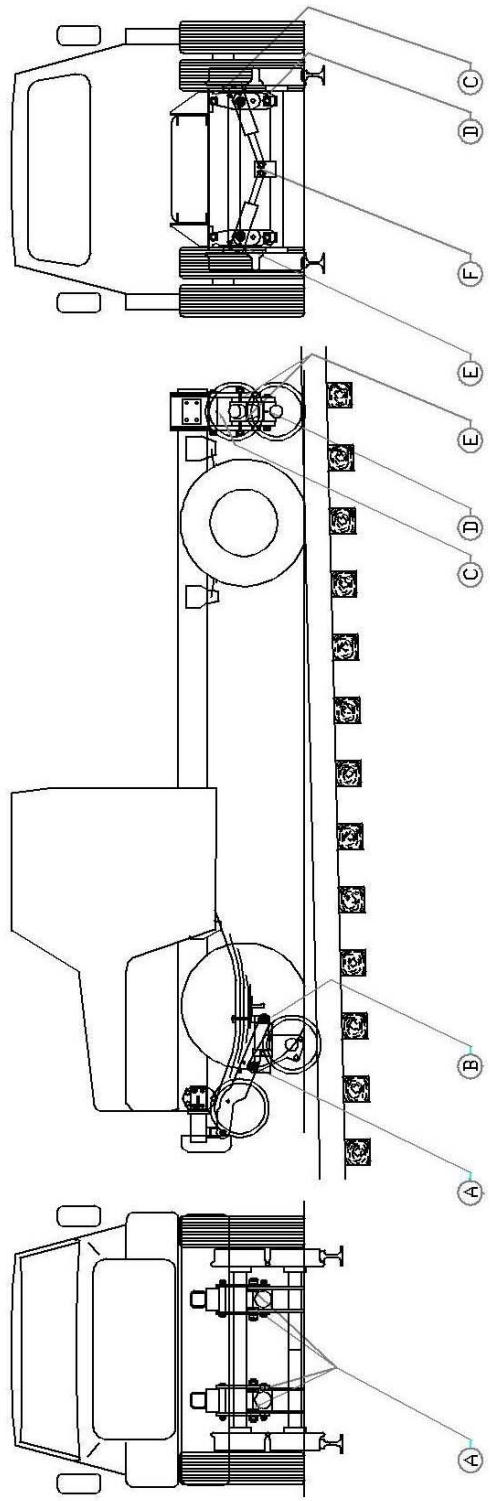
- Remove the hubcaps from the railwheels and inspect for deterioration or loss of wheel bearing grease. Unless there is a problem, the cavity may be topped off with the recommended grease without removing and/or re-packing the bearings.
- Clean the hubcap and mating surfaces and apply a bead of silicone gasket and re-attach securely.
- Clean the strainer / filter in the hydraulic power unit tank.
- Inspect wheel flanges for excessive wear. If abnormal pattern is noted, check railgear alignment (see alignment procedure).
- Rail test for proper traction and braking. If abnormal, adjust properly (see traction procedure).

9.2 Lubrication Specification

- Grease fittings: Quaker State Multipurpose Lithium EP #2 (or equal)
- Hydraulic oil: Unax RX-46 hydraulic oil (or equal)
- Wheel bearings: Quaker State Multipurpose Lithium EP #2 (or equal)

Drawing: Grease Point Locations

ITEM	GREASE PT	PLCS.	DESCRIPTION
1	A	4	FRONT PIVOT ARM PIVOT PINS, CENTER OF THE PIN HEAD
2	B	2	FRONT CYLINDER ROD CROSS TUBES
3	C	2	REAR BRACKET UPPER PIN CROSS TUBES
4	D	2	REAR AXLE LOWER PIN SAIDLE BLOCK
5	E	8	REAR SCISSORS LINK MECHANISM
6	F	2	REAR CYLINDER ROD CROSS TUBES
7			



REV	DATE	DESCRIPTION	BY	APP
A				
TITLE: GREASE POINT LOCATIONS DIVERSIFIED METAL FABRICATORS, INC./404975-1312 DATE: 10/14/98 DRAWING NUMBER: FT1434 #				
DRAWN BY: KLC		APPD BY:		

APPENDIX A: TECHNICAL DATA

A.1 Working Pressure Ratings for SAE Hose and Fittings

The following table gives the recommended working pressures for SAE J517 Hose and SAE J516 Fittings:

Hose Diameter	100-R1	100-R2
-4	2750 psi	5000 psi
-6	2250 psi	4000 psi
-8	2000 psi	3500 psi
-12	1250 psi	2250 psi

Contact hose supplier to confirm that the hydraulic hoses and fittings meet these pressures ratings and that they conform to SAE J517 (Hydraulic Hoses) and SAE J516 (Hydraulic Fittings).

NOTE:
The SAE ratings for hoses can be found stamped on the hose outer surface.

A.2 Welding Information

- Dual Shield Wire spec. → AWS E71T-1
- Low Hydrogen spec. → AWS E-7018

Low Hydrogen Electrodes (AWS E-7018)

Manufacturer	Equivalent
Air Products	AP-7018, 7018IP
Airco	7018C, 7018-A1
Arcos	Ductilend 70
Air Products	170-LA, SW-47,616
Chemtron	170-LA, SW-47,616
Hobart	718, 718-SR
Marquette	7018
McKay Co	7018
Reid-Avery	7018
Uniblaze	7018
Westinghouse	Wiz-18
Lincoln	Jetweld LH-70

A.4 NPT Pipe Thread Fitting Installation

ITEM	PART NO.	QTY	DESCRIPTION
1			
2			

TITLE: National Pipe Thread (NPT) Fitting Installation.
PURPOSE: To Establish Production Methods For The Installation Of NPT Medium Pressure Hydraulic Fittings.
COMMON USAGE: Hydraulic Systems Operating With Petroleum-Based Fluids At Pressures Below 3000 PSI Or Minimum Component Rating.
PARTS GENERALLY ENCOMPASSED BY THIS PROCEDURE: Purchased Fittings With Tapered Pipe Threads.
PROCEDURE: A) Inspect port components to ensure that male and female threads are free of nicks, burrs, dirt etc.
 B) Apply sealant/lubricant to male pipe threads. Use only Permatex #14D "Thread Sealant With Teflon" paste (or Engineering approved equal). The first few threads must be left uncovered to avoid system contamination.
 C) Screw fitting into female pipe port to the finger tight position.
 D) Wrench tighten the fitting to the appropriate Turns From Finger Tight (T.F.F.T.) shown in chart below. Make sure that tube end of shaped fitting is aligned to receive in coming tube or hose assembly.

STEEL PIPE THREAD FITTINGS

Fitting Size	Pipe Thread Size, NPT	T.F.F.T.
2	1/8-27	2.0-2.5
4	1/8-27	2.0-2.5
6	1/4-18	1.5-2.0
8	3/8-18	2.0-2.5
10	1/2-14	2.0-2.5
12	3/4-14	1.5-2.0
14	3/4-14	1.5-2.0
16	1-11 1/2	1.5-2.0
20	1 1/4-11 1/2	1.5-2.0
24	1 1/2-11 1/2	1.5-2.0

COMMENTS: Teflon Tape May Be Used In Certain Situations With Engineering Approval. A Pipe Fitting Is Limited To One Or Two Re-Uses.

REV	DATE	DESCRIPTION	BY	APP
1		TITLE: PRODUCTION PROCEDURE 004 PIPE FITTING INSTALLATION		
DRAWN BY: TSH		APPD BY:		
DATE: 06/02/94		DRAWING NUMBER: PP004		REV: #

A.5 SAE (JIC) 37 Deg. Flare Fitting Installation

ITEM	PART NO.	QTY	DESCRIPTION
1			
2			

TITLE: SAE (JIC) 37 Degree Fitting Installation.
PURPOSE: To Establish Production Methods For The Installation Of SAE (JIC) Medium Pressure Hydraulic Fittings.
COMMON USAGE: Hydraulic Systems Operating With Petroleum-Based Fluids At Pressures Below 4000 PSI Or Minimum Component Rating.
PARTS GENERALLY ENCOMPASSED BY THIS PROCEDURE: Purchased Fittings With SAE (JIC) 37 Degree Flared Ends.
PROCEDURE: A) Inspect fitting components to ensure that mating parts are free of burrs, nicks, scratches or any foreign material.
B) Align tube flare against nose of fitting body and screw on the nut, finger tight, clamping the tube flare between the fitting nose and the nut.
C) Tighten the nut the indicated Flats From Finger Tight (F.F.T.) listed in the chart below. Use a second wrench to hold the hose in proper alignment while tightening to avoid twisting the lay line. One flat on a hex is equal to 1/6th of a full turn. Tolerance on tightening is plus or minus 1/4 flat (1/24th of full turn).

SAE (JIC) 37° Flare Fittings

Size	Thread Size	Tube Connection F.F.T.	Swivel Nut or Hose Connection F.F.T.
-4	7/16-20	2	2
-6	9/16-18	1.5	1.25
-8	3/4-16	1.5	1
-12	1 1/16-12	1.25	1
-16	1 5/16-12	1	1
-20	1 5/8-12	1	1
-24	1 7/8-12	1	1

REV	DATE	DESCRIPTION	BY	APP
1		TITLE: PRODUCTION PROCEDURE 005 JIC FITTING INSTALLATION		
DRAWN BY: TSH		APPD BY:		
DATE: 06/02/94		DRAWING NUMBER: PP005		REV #

A.6 Purchased Fastener Torque Specification

ITEM	PART NO.	QTY	DESCRIPTION
1			
2			

TITLE: Purchased Fastener Torque Specification
PURPOSE: To Establish Production Methods For The Installation Of Commonly Purchased Threaded Fasteners.
COMMON USAGE: Most Areas Of Multiple Part Assembly And Retention.
PARTS GENERALLY ENCOMPASSED BY THIS PROCEDURE: Most Common Sizes Of SAE J429 Grade 5 And 8 And Of ASTM A574 "Alloy" Bolts.
PROCEDURE: A) Identify The Fastener As Either Fine Or Coarse Thread, Select The Appropriate Chart Below.
 B) Identify The Fastener Size (Diameter And Threads Per Inch), Select The Appropriate Row In The Chart Selected.
 C) Identify Grade Of The Bolt.
 D) Identify Whether The Bolt Is Plated Or Plain.
 E) Read Across The Size Row And Down The Grade And Plain Or Plated Column. The Intersection Of Row And Column Gives Torque.

- B) Identify The Fastener Size (Diameter And Threads Per Inch), Select The Appropriate Row In The Chart Selected.
- C) Identify Grade Of The Bolt.
- D) Identify Whether The Bolt Is Plated Or Plain.
- E) Read Across The Size Row And Down The Grade And Plain Or Plated Column. The Intersection Of Row And Column Gives Torque.

FINE THREAD BOLTS

SIZE (DIA-TPI)	SAE J429 GRADE 5 (3 MARKS) PLAIN PLATED (FTLB)	SAE J429 GRADE 8 (6 MARKS) PLAIN PLATED (FTLB)	ASTM A574 ALLOY (KNURLED OD) PLAIN PLATED (FTLB)
5/16-24	19	14	27
3/8-24	35	26	49
7/16-20	55	41	78
1/2-20	90	64	120
9/16-18	120	90	170
5/8-18	170	130	240
3/4-16	300	225	420
7/8-11	445	325	670
1-12	645	485	995
1 1/8-12	890	670	1445
1 1/4-12	1240	930	2010
1 3/8-12	1675	1255	2710
1 1/2-12	2195	1645	3560
			2670
			3275
			2455

COARSE THREAD BOLTS FOR GR 8 W/ PRE-VALING TORQUE NUT

SIZE	FT-LB
1/2-13	55
1/2-20	60
5/8-11	120
5/8-18	125
3/4-10	180
3/4-16	180
1-8	400
1-14	425

(MATCHING HEX NUTS)

SIZE (DIA-TPI)	SAE J429 GRADE 5 (3 MARKS) PLAIN PLATED (FTLB)	SAE J429 GRADE 8 (6 MARKS) PLAIN PLATED (FTLB)	ASTM A574 ALLOY (KNURLED OD) PLAIN PLATED (FTLB)
5/16-18	17	13	25
3/8-16	31	23	44
7/16-14	49	37	70
1/2-13	75	57	105
9/16-12	110	82	155
5/8-11	150	115	220
3/4-10	265	200	375
7/8-9	395	295	605
1-8	590	445	910
1 1/8-7	795	595	1290
1 1/4-7	1120	840	1815
1 3/8-6	1470	1100	2380
1 1/2-6	1950	1460	3160
			2370
			3040
			2280

COMMENTS: A) Torque values specified are for bolts with residual oils or no special lubricants applied. If special lubricants of high stress capacity (such as Never-Seize, graphite and oil, molybdenum disulphide, colloidal copper or white lead) are applied, multiply the torque values in charts by 0.80. The use of Loctite does not affect the torque values in charts.
 B) All values are in Foot-Pounds (FTLB). Multiply by 12 for Inch-Pounds.
 C) Flat washers of equal strength must be used.
 D) Bolt manufacturer's specs should be used when available.
 E) Plated values in charts are for Cadmium. Multiply by 1.87 for Zinc.
 F) Never re-use a highly stressed, torqued fastener. IT MAY FAIL

REV	DATE	DESCRIPTION	BY	APP
A	12/28/89	ADDED RECOMMENDED TORQUE CHART		LOR
TITLE: PRODUCTION PROCEDURE 006 FASTENER TORQUE SPECIFICATION DRAWN BY: TSH APP'D BY: DATE: 06/02/94 DIVERSIFIED METAL FABRICATORS, INC (444) 875-5512 DRAWING NUMBER: PP006 REV: A				

A.7 Railwheel Bearing Adjustment Guidelines

ITEM	PART NO.	QTY	DESCRIPTION
1			
2			

TITLE: Guidewheel Bearing Adjustment Guidelines.

PURPOSE: To Establish Production Methods For The Adjustment Of Wheel Bearings.

COMMON USAGE: Applicable To All Tapered Roller Bearing , Indirect Mounted, Fixed Spindle Bearing Systems.

ASSEMBLIES GENERALLY ENCOMPASSED BY THIS PROCEDURE: RW-1019, RW-1019HD, RW-1212, RW-1630, RW-1650 In Addition To Most Custom Units.

PROCEDURE: A) Assemble components per instructions or drawing details including grease packed in bearings and between bearing races.

B) Tighten the spindle adjusting nut, heavily by hand (25 to 50 ft-lb).

C) Rotate wheel one full turn in both directions.

D) Back off nut until loose, tighten nut by hand (while turning wheel) until slight bind is felt.

E) Back off nut until bearing axial end play is in the range of .005 to .010".

F) Secure position of nut by means provided.

SPECIFIC PROCEDURE BY MODEL:

RW-1013: Spindle Thread Pitch is 32 TPI.

A) Follow General Procedure above.

B) To achieve the setting in step "E" above, back adjusting nut off 1/4 turn.

A) Follow General Procedure above.

B) To achieve the setting in step "E" above, back adjusting nut off 1/8 turn.

RW-1630: Spindle Thread Pitch is 16 TPI.

A) Follow General Procedure above. An Impact wrench may be used for Initial assembly at up to 500 ft-lb.

B) To achieve setting in step "E" above, back adjusting nut off to next lockwasher hole but not more than 1/8 turn.

RW-1650: Spindle Thread Pitch is 12 TPI.

A) Follow General Procedure above. An Impact wrench may be used for Initial assembly at up to 500 ft-lb.

B) To achieve setting in step "E" above, back adjusting nut off 1/12 turn (1/2 nut flat).

COMMENTS: Procedures Specifically Noted On Prints Must Be Performed With Preference Over This Procedure.

REV	DATE	DESCRIPTION	TSH	BY	APP
1	12/07/00	ADD RW-1013 SETTING			
<p>TITLES: PRODUCTION PROCEDURE 007 WHEEL BEARING ADJUSTMENT</p> <p>DATE: 06/03/94</p> <p>DRAWING NUMBER: PP007</p>					

A.8 Hi-rail Cylinder Assembly Procedure

ITEM	PART NO.	QTY	DESCRIPTION
1			
2			

TITLE: Cylinder Assembly
PURPOSE: To Establish Production Methods For The Assembly Of Cylinders
COMMON USAGE: All Models
PARTS GENERALLY ENCOMPASSED BY THIS PROCEDURE: D.M.F. Manufactured Hydraulic Cylinders With "PolyPack" Piston Seals: P/N 240089/100 (4.5 FT 1630 R/L, 240200/203 3.5 RR 1630 R/L, 240205/206 3.5 RR 1630 T-1 R/L, 240300/301 3.5 ROTO R/L, 240350 3.5 GRADALL, 240400/415 5.5 FT 1630 R/L, 240700/701 4.5 FT 1019 L/R, 240800/801 3.5 FT 1019 L/R, 241400/401 2.5 RR 1019 L/R, 241500/501 2.5 RR 1019 L/R.

ASSEMBLY PROCEDURE:
PISTON: A) Inspect for sharp edges. Deburr as necessary.
 B) Clean and blow off with shop air.
 C) Use clean hydraulic oil to aid in assembly.
 D) Install two (2) seals with each lip (O-ring insert side) facing the closer piston face.
GLAND: A) Inspect OD and bore for sharp edges. Deburr as necessary.
 B) Clean and blow off with shop air.
 C) Use clean hydraulic oil to aid in assembly.
 D) Install wiper ring in bore with lip facing outboard.
 E) Install seal in bore with lip (O-ring insert side) facing inboard.
 F) Inspect for seal damage. Any starved seal material requires replacement.
 G) Install backup ring in O-ring groove on O.D. with concave surface facing inboard.
 H) Install O-ring on inboard side of groove in Step G.
 I) Inspect O-ring for damage.


ROD ASSEMBLY:
 A) Clean and inspect shaft surface for scratches and dings.
 B) Install grease fitting in rod end per PP-001.
 C) Use clean hydraulic oil to aid in assembly.
 D) Install gland assembly onto rod with the outboard side facing the rod end.
 E) Install rod O-ring onto threaded end of rod.
 F) Inspect O-ring for damage.
 G) Install piston assembly onto rod with the O-ring counterbore facing O-ring in Step E. Be certain that O-ring seats in counterbore.
 H) Install self locking rod nut on rod. Tighten to 200 to 300 foot-pounds torque.

CYLINDER ASSEMBLY:
 A) Inspect cylinder ports for minimum three (3) threads and no burrs. Deburr as necessary.
 B) Clean tube ID threads and bore and blow out with shop air.
 C) Inspect threads for debris.
 D) Support cylinder barrel assembly with gland end facing up.
 E) Dip piston end of rod assembly into clean hydraulic oil. Maintain rod assembly in vertical position, align piston with tube bore, engage piston in tube bore, strike rod end with hammer until piston is below first cylinder port.
 F) Slide gland down on rod, engage gland threads into barrel by hand.
 G) Screw gland into barrel with spanner wrench until gland face contacts barrel tube-end.
 H) Install two (2) hydraulic fittings into cylinder ports per PP-003.

PRESSURE TESTING:
 A) Connect hydraulic power unit to cylinder.
 B) Operate cylinder through complete cycle to purge air and fill with clean hydraulic oil.
 C) Operate cylinder to full extension and retraction and maintain at 3300 PSI for 15 seconds at each extent. While maintaining pressure at each extent, visually inspect ports, rod seal, gland O.D. seal, and cylinder bottom areas for leakage.
 D) Disconnect hydraulic power unit and install caps on port fittings.
 E) Impression stamp cylinder bottom when all preceding steps have been successfully accomplished.

COMMENTS: Specific assembly instructions on prints are performed with preference over this procedure.

REV	DATE	DESCRIPTION	BY	APP
A				
B				

TITLE: PRODUCTION PROCEDURE 008 CYLINDER ASSEMBLY	
DRAWN BY: TSH	APP'D BY:
DATE: 06/24/94	DRAWING NUMBER: PP008
	
DIVERSIFIED METAL FABRICATORS, INC. (444) 875-5312	REV: #

DMF LIMITED WARRANTY POLICY

Diversified Metal Fabricators (DMF) products are designed to provide the utmost service and reliability. Competent workmen, guided by stringent quality standards, manufacture the products from high-grade material. **DMF** warrants products of its manufacturer to be free of defects in material and workmanship, under normal use and service, for a period of **ONE CALENDAR YEAR**. **DMF's** obligation under this warranty is limited to repairing or replacing at its factory, or other location designated by us, any part or parts there-of which shall, within 30 DAYS of the date of failure or notice of defect, be returned, and which upon examination shall appear to **DMF's** satisfaction to have been defective. Such repair or replacement does not include the cost of installing the new part or any other expenses incident thereto; however, the outbound direct ground freight on the part will be prepaid to locations within the continental United States and Canada. **DMF** shall not be liable for other loss, damage, or expense directly or indirectly arising from the use of its products.

Ordinary wear and tear, abuse, misuse, neglect, or alteration is not covered by this warranty. **DMF** assumes no liability for expenses or repairs made outside its factory except by written consent. Warranty is null and void if instructions and operating procedures specifically referring to warranty coverage are not followed.

Equipment or parts not manufactured by this company, but which are furnished in connection with **DMF** products are covered directly and solely by the warranty of the manufacturer supplying them.

This warranty is in lieu of other warranties, expressed or implied, including any implied warranties of merchantability or fitness for a particular purpose and any liability for special or consequential damages.



Diversified Metal Fabricators, Inc.
665 Pylant St.
Atlanta, Georgia 30306
(404) 875-1512