

# LIFTMOORE 3200 CRANE

**10,000 FT.-LB. MOMENT RATING  
3,200 LB. MAXIMUM CAPACITY  
WITH POWER OPTIONS**

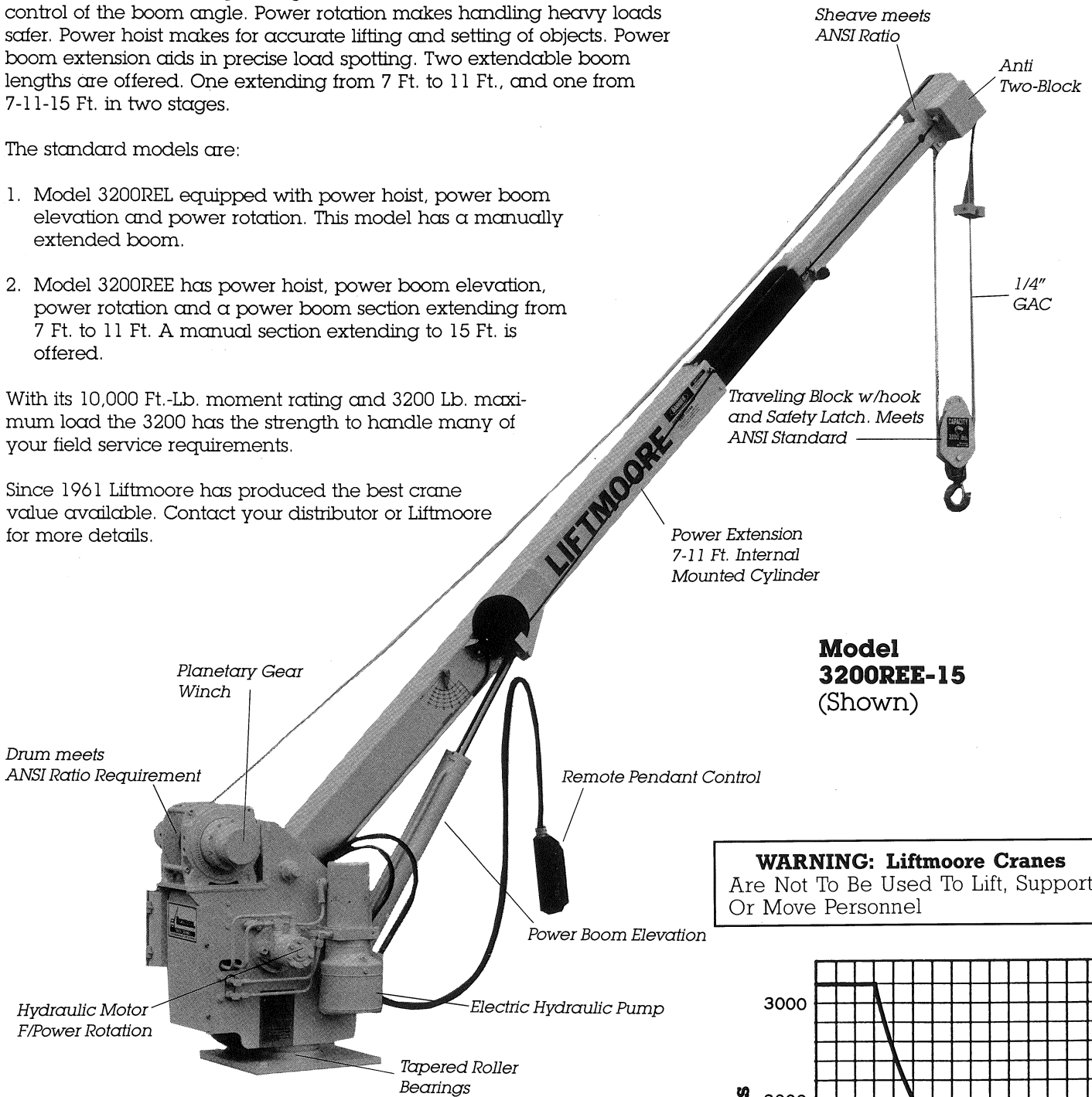
The Model 3200 Liftmoore Crane is a very versatile unit equipped with power features for maximum operating ease. Power boom elevation allows remote control of the boom angle. Power rotation makes handling heavy loads safer. Power hoist makes for accurate lifting and setting of objects. Power boom extension aids in precise load spotting. Two extendable boom lengths are offered. One extending from 7 Ft. to 11 Ft., and one from 7-11-15 Ft. in two stages.

The standard models are:

1. Model 3200REL equipped with power hoist, power boom elevation and power rotation. This model has a manually extended boom.
2. Model 3200REE has power hoist, power boom elevation, power rotation and a power boom section extending from 7 Ft. to 11 Ft. A manual section extending to 15 Ft. is offered.

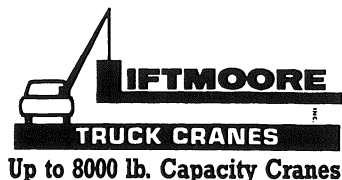
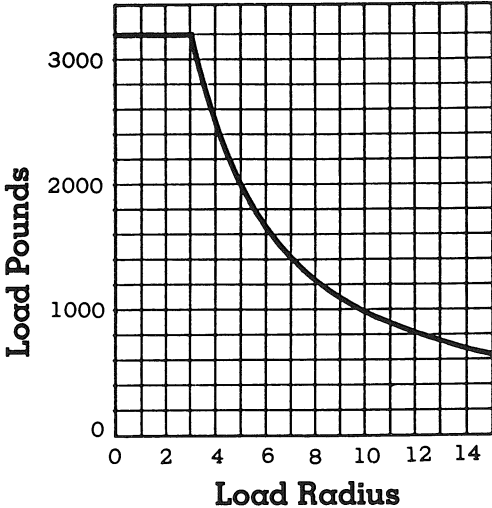
With its 10,000 Ft.-Lb. moment rating and 3200 Lb. maximum load the 3200 has the strength to handle many of your field service requirements.

Since 1961 Liftmoore has produced the best crane value available. Contact your distributor or Liftmoore for more details.



**Model 3200REE-15**  
(Shown)

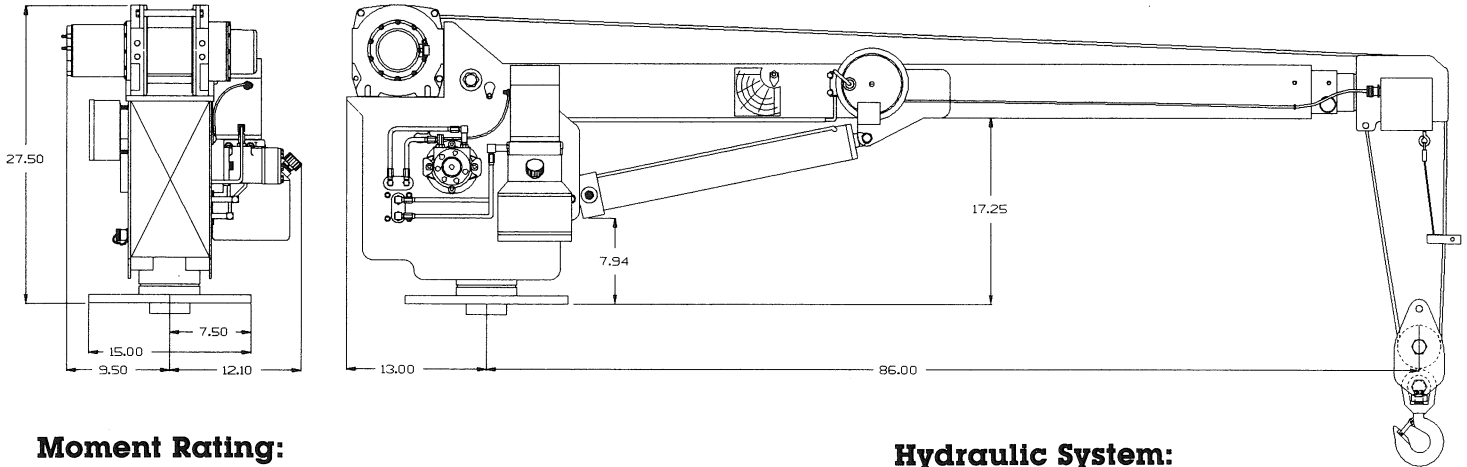
**WARNING: Liftmoore Cranes**  
Are Not To Be Used To Lift, Support  
Or Move Personnel



**LIFTMOORE, INC.**  
11505 Todd  
Houston, Texas 77055  
FAX (800) 824-5559 (USA & Canada)  
FAX (713) 688-6324  
(713) 688-5533  
www.liftmoore.com

Up to 8000 lb. Capacity Cranes

# 3200 SPECIFICATIONS



## Moment Rating:

10,000 Ft.-Lbs.

## Lift Capacities:

\* 3200 Lbs. @ 3 Ft.                      909 Lbs. @ 11 Ft.  
 \* 2500 Lbs. @ 4 Ft.                      769 Lbs. @ 13 Ft.  
 1428 Lbs. @ 7 Ft.                        666 Lbs. @ 15 Ft.  
 1111 Lbs. @ 9 Ft.

\* Use the traveling block provided and double line hookup for loads greater than 1600 Lbs.

## Boom:

Standard length 7 Ft. to 11 Ft. (manual or powered).  
 Optional length 7 Ft. to 11 Ft. (manual or powered with 11 Ft. to 15 Ft. manual extension. Angle varies from - 5° to + 75°.

## Winch:

Efficient planetary gear drive powered by 12 volt D.C. permanent magnetic motor. Winch is controlled by 12 Volt D.C. Electric Contactor controlling hoist up and down operation. Winch drum to wire rope ratio meets ANSI requirements.

### Winch Performance (First Layer)

Load (Pounds)	Hook Speed (Ft. per Minute)	Electrical Load (AMPS)
1,000	14.5	75
2,000*	7.1	80
3,000*	6.5	110

\*Double line hookup

## Winch Cable:

1/4" Galvanized aircraft cable 62 Ft. long is supplied with traveling block for double line operation. Breaking strength of cable is 7,000 lbs.

## Rotation:

**POWERED:** 3200REL and 3200REE are rotated by a worm gearset driven by a low speed, high torque hydraulic motor. Rotation is 360° continuous for all models. Both model cranes rotate on tapered roller bearings.

## Hydraulic System:

A 12 volt D.C. electric driven hydraulic pump supplies 1.3 GPM @ 500 PSI. Control of cylinders and motor is by 4-way solenoid valves. Counterbalance valves are integrally mounted in the elevation and extension cylinders.

## Remote Pendant:

All powered functions are controlled by a remote pendant control that is 3 Ft. longer than the maximum boom length. The control is removable to prevent unauthorized use.

## Load Sensor:

A load limiting sensor is installed in the elevation cylinder. This sensor will shut down hoist up, boom out, and boom down when an overload is detected. The sensor will reset after the load is lowered.

## Anti Two-Block:

The 3200REE includes an anti two-block feature that prevents extending the boom against the traveling block and breaking the wire rope.

## Power Source:

This crane operates with the truck's 12 Volt D.C. system. A second battery mounted near the crane is required to keep the voltage as high as possible. The battery should be as large as possible and installed in parallel with the vehicle's battery. Use of a deep cycle battery is advised. 25 Ft. of 1/0 battery cable with a quick disconnect is included along with a 3 Ft. ground wire, 150 AMP circuit breaker and master cutoff switch.

## Mounting:

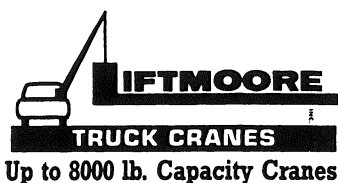
Four 1/2" Grade 8 bolts are supplied. Crane mounts on a 15" square base plate with 12" square bolt pattern.

## Optional Accessories:

Jack Stand, over centering  
 Manual pull out, crank down Outrigger  
 Drum Tongs  
 Pedestal for Pickup Bed  
 Pedestal for Flat Bed  
 Load Sensor  
 Boom Rest

## Weights:

Actual 3200 REE-15 650 Lbs.  
 Actual 3200 REL-15 585 Lbs.



**LIFTMOORE, INC.**  
 11505 Todd  
 Houston, Texas 77055  
 FAX (800) 824-5559 (USA & Canada)  
 FAX (713) 688-6324  
 (713) 688-5533  
 www.liftmoore.com