

LIFTMOORE 4000 CRANE

**16,000 FT.-LB. MOMENT RATING
4,000 LB. MAXIMUM CAPACITY**

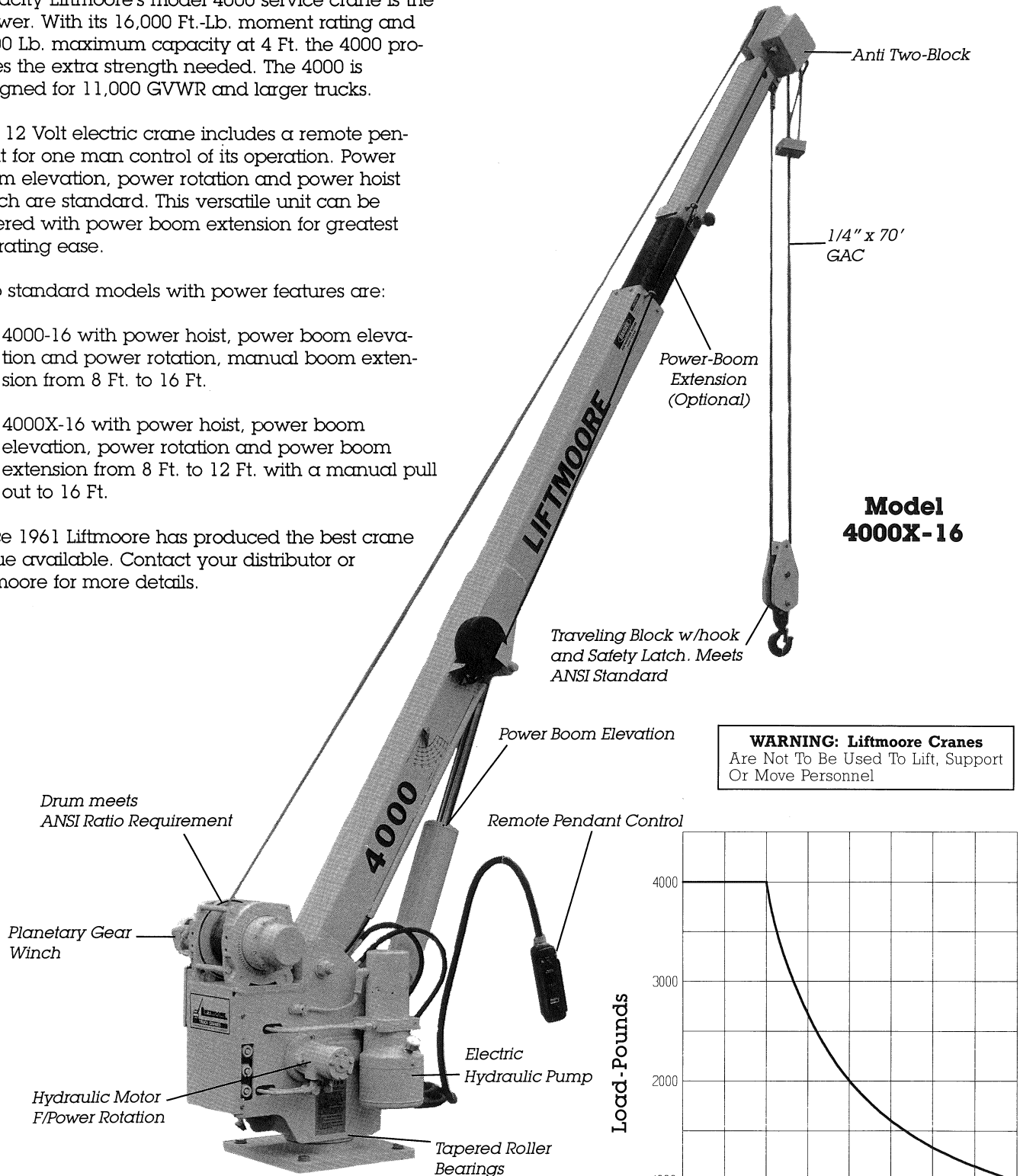
For those lifting jobs requiring more mid range capacity Liftmoore's model 4000 service crane is the answer. With its 16,000 Ft.-Lb. moment rating and 4,000 Lb. maximum capacity at 4 Ft. the 4000 provides the extra strength needed. The 4000 is designed for 11,000 GVWR and larger trucks.

This 12 Volt electric crane includes a remote pendant for one man control of its operation. Power boom elevation, power rotation and power hoist winch are standard. This versatile unit can be ordered with power boom extension for greatest operating ease.

Two standard models with power features are:

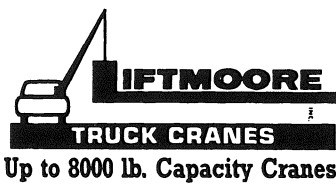
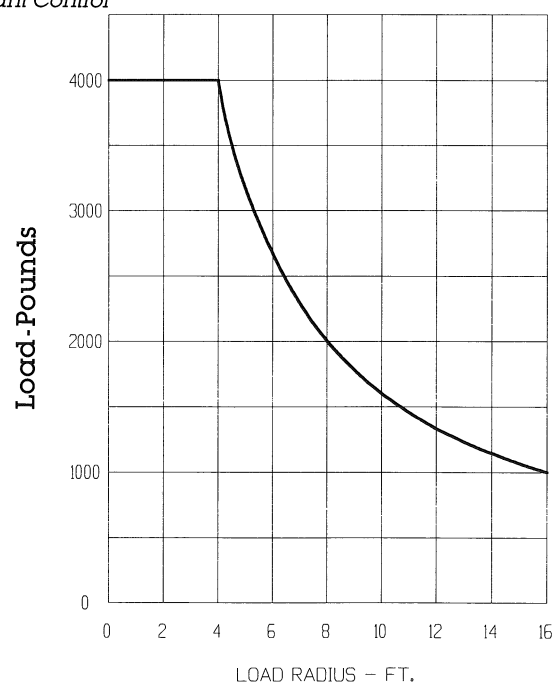
1. 4000-16 with power hoist, power boom elevation and power rotation, manual boom extension from 8 Ft. to 16 Ft.
2. 4000X-16 with power hoist, power boom elevation, power rotation and power boom extension from 8 Ft. to 12 Ft. with a manual pull out to 16 Ft.

Since 1961 Liftmoore has produced the best crane value available. Contact your distributor or Liftmoore for more details.



**Model
4000X-16**

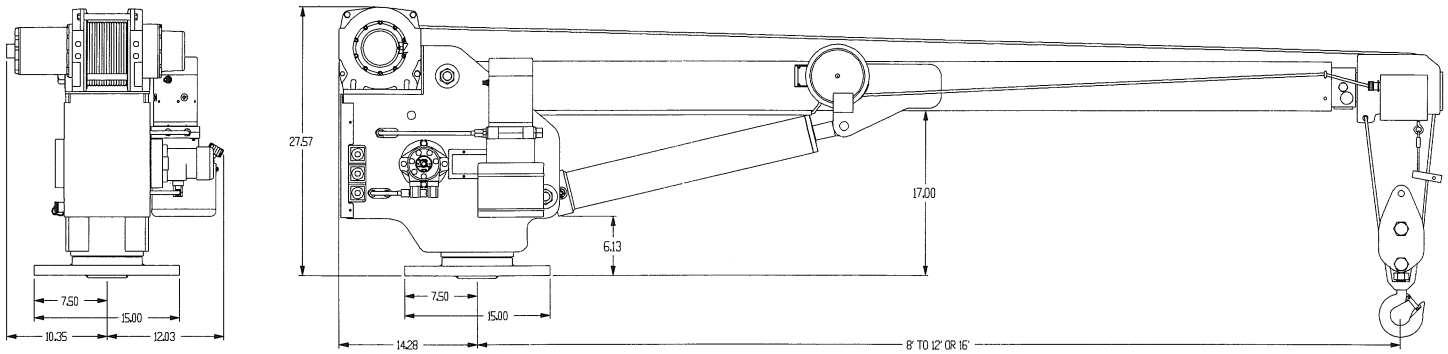
WARNING: Liftmoore Cranes
Are Not To Be Used To Lift, Support
Or Move Personnel



LIFTMOORE, INC.
11505 Todd
Houston, Texas 77055
FAX (800) 824-5559 (USA & Canada)
FAX (713) 688-6324
(713) 688-5533
www.liftmoore.com

Up to 8000 lb. Capacity Cranes

4000 SPECIFICATIONS



Moment Rating:

16,000 Ft.-Lbs.

Lift Capacities:

4000 Lbs. @ 4 Ft.	1333 Lbs. @ 12 Ft.
2666 Lbs. @ 6 Ft.	1142 Lbs. @ 14 Ft.
2000 Lbs. @ 8 Ft.	1000 Lbs. @ 16 Ft.
1600 Lbs. @ 10 Ft.	

Hoist Winch:

The hoist winch has a planetary gear drive for best possible efficiency. A 1.8 HP series wound electric motor powers the winch. Single line capacity of the winch is 1600 Lbs. The winch load is controlled by a load apportioned mechanical brake located in the winch drum. Ratio between winch drum and wire rope meets ANSI requirements.

First layer hoisting performance of the winch is as follows:

Load - Lbs.	Hook Speed - Ft./Min..	Electrical - Amps @ 12VDC
0	40.0	60
1,000	14.5	75
2,000*	7.2	80
4,000*	4.5	95

*Triple Line on Wire Rope is required for loads above 3000 Lbs.

Wire Rope and Sheaves:

The crane is supplied with 85 Ft. of 1/4" galvanized aircraft cable. Minimum breaking strength of the rope is 7000 Lbs. Wire rope is outside of the boom and visible for operator's continual inspection. A traveling block for easy two part hookup is included. All sheaves meet ANSI requirements.

Boom:

The boom is capable of moving from -5 to +75 Degrees. It is elevated by a double acting cylinder with an integral counterbalance valve. The counterbalance valve has two important functions. This valve holds the cylinder in the event of hose failure and it controls the rate of boom descent.

Model 4000: The boom telescopes manually from 8 Ft. to 12 Ft. and from 12 Ft. to 16 Ft. in two stages. There is one intermediate position in each stage.

Model 4000X: Boom extends under power from 8 Ft. to 12 Ft. by a 2.5" bore hydraulic cylinder. The cylinder is mounted inside the boom for protection. The cylinder has a counterbalance valve integrally mounted with relief set at 2000 PSI. The counterbalance valve will hold the cylinder in the event of hose failure and also controls the rate of cylinder retraction. The boom also has a manual telescoping section that can be extended from 12 Ft. to 16 Ft. with one intermediate position at 14 Ft.

Hydraulic System:

A hydraulic pump driven by a 12 Volt D.C. Series Wound electric motor powers the crane's rotation, elevation and extension functions. Pump is gear type with a 1.3 GPM capacity at 500 PSI. Control of the hydraulic functions is through four way spring centered solenoid activated valves. Valves actuate at a minimum of 10 Volts. Valves have manual over-ride capability and are mounted on a manifold for easy access. Reservoir capacity is 1 Gallon.

Rotation System:

The hydraulic powered rotation is driven by a low speed, high torque hydraulic motor and drives through a 54:1 ratio self locking worm gear. The worm gear is an Aluminum Bronze Alloy. The worm is hardened steel. The crane rotates 360 degrees continuously without limit on two 4.00" ID tapered roller bearings.

Remote Pendant Control:

A 25 Ft. long remote pendant is provided for control of each powered function. The pendant control is removable from the crane to prevent unauthorized use of the crane.

Load Sensor:

A load limiting sensor is installed in the elevation cylinder. This sensor will shut down hoist up, boom out, and boom down when an overload is detected. The sensor will reset after the load is lowered.

Anti Two-Block:

The anti two-block system is included with the model 4000X. The anti two-block prevents extending the boom against the traveling block and breaking the cable.

Power Source:

This crane is powered by the truck's 12 Volt DC system. A second battery mounted near the crane is required to keep the voltage as high as possible. The battery should be as large as possible and installed in parallel with the vehicle's battery. Use of a "Deep Cycle" battery for the additional battery is advised. 25 Ft. of 1/0 Battery Cable with Quick Disconnect is included along with a 3 Ft. ground wire, 150 amp circuit breaker and master cutoff switch.

Mounting:

It is recommended that this crane be mounted on an 11,000 Lb. or larger GVWR chassis. Four 0.75" x 3.0" Long Grade 8 Hex Head Cap Screws and Lock Nuts are supplied for mounting. Hole pattern is on 12" square. Mounting plate is 15" square.

Outriggers:

An outrigger is needed for stability requirements of OSHA 1910.180. The outrigger is also necessary to reduce the load on the crane's rotation mechanism and the truck's suspension components. Liftmoore has jackstands and outriggers available as options.

Weights:

4000-16: 875 Lbs. Shipping
4000X-16: 930 Lbs. Shipping

Optional Accessories:

Outrigger - Manual pull out, crank down
Outrigger - Manual out, hydraulic up/down
Jack Stand, over center type
Pedestal - 4000
Boom Rest - 4000



LIFTMOORE, INC.
11505 Todd
Houston, Texas 77055
FAX (800) 824-5559 (USA & Canada)
FAX (713) 688-6324
(713) 688-5533
www.liftmoore.com