

Load Rating Chart

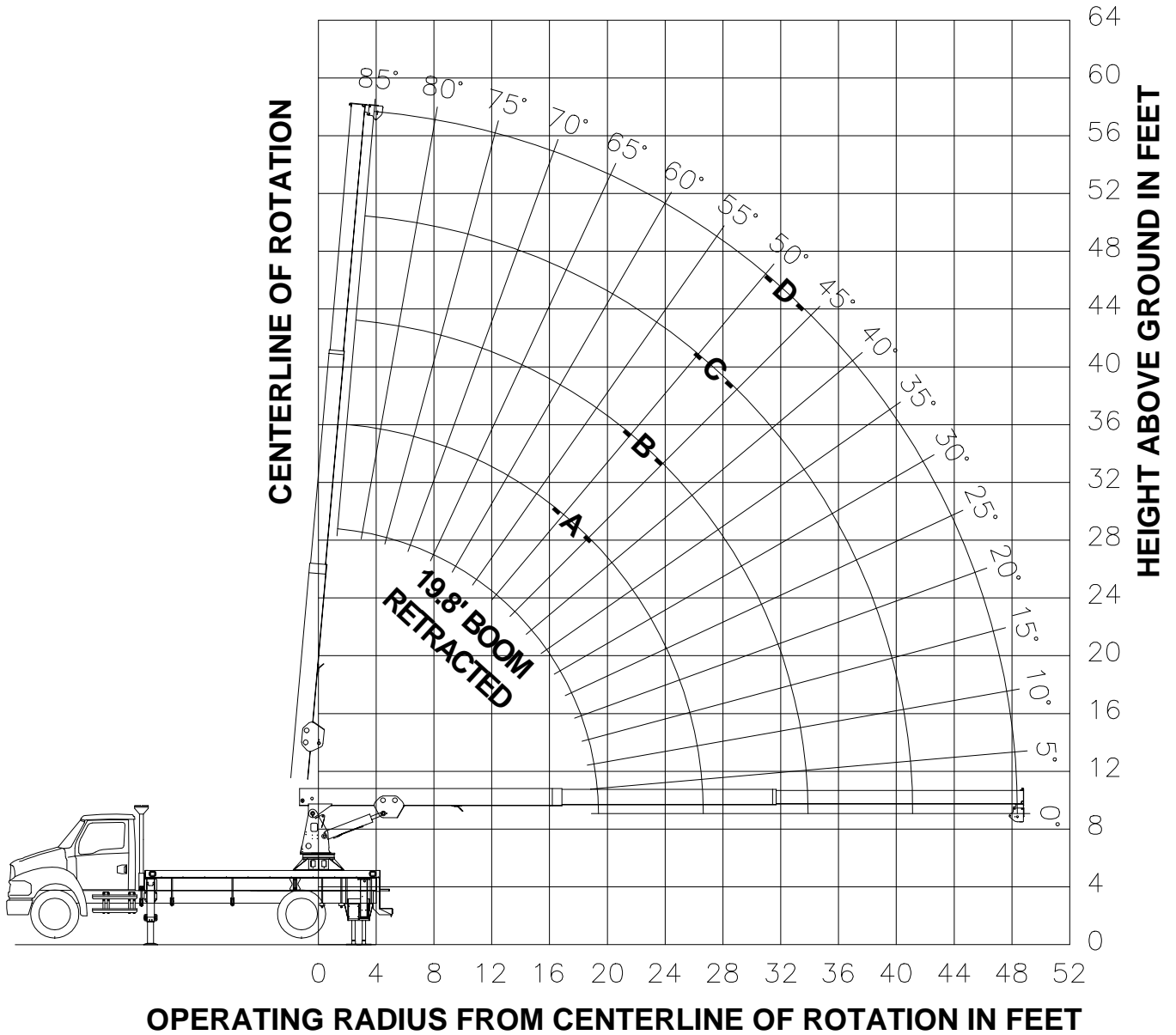
Model SC65



© Manitex

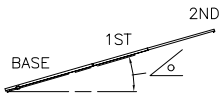
NOTE: *Additional copies of this Load Rating Chart can be purchased from your Manitex Distributor. When ordering, use the part number shown in the bottom left corner of this page.*

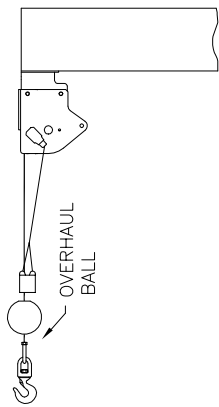
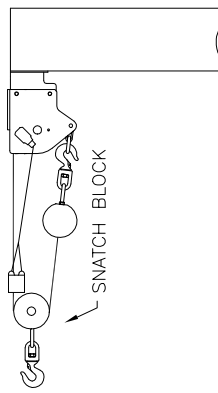
**RANGE DIAGRAM
- FOR CRANE OPERATION ONLY -
(MEETS ANSI B30.5 REQUIREMENTS)**



LOAD CHART
-FOR CRANE APPLICATION ONLY-
 (MEETS ANSI B30.5 REQUIREMENTS)

MAIN BOOM LOAD RATINGS IN LBS										
OPERATING RADIUS FT	LOADED BOOM ANGLE		BOOM LENGTH AND MARKER							
			A		B		C		D	
	°	19.8 FT	°	27.0 FT	°	34.3 FT	°	41.5 FT	°	48.8 FT
8	66	6000	73	5910	77	5320				
10	59	6000	68	5020	73	4430	77	4170		
12	52	5420	64	4410	70	3820	74	3560	77	3380
14	44	4980	59	3970	66	3380	71	3130	75	2940
16	35	4640	54	3640	62	3050	68	2790	72	2610
18	23	4360	48	3370	58	2790	65	2530	70	2350
20			42	3160	54	2580	62	2320	67	2140
24			26	2830	45	2250	55	2000	62	1820
28					35	2020	48	1770	56	1590
32					20	1830	40	1600	50	1420
36							30	1460	43	1280
40							15	1330	36	1170
44									26	1080
48									9	970
52										



ALLOWABLE LINE PULL		WARNING
1 PART LINE	2 PART LINE	
		<p>ANTI-TWO BLOCK SYSTEM, IF SUPPLIED, MUST BE IN GOOD OPERATING CONDITION BEFORE OPERATING THE CRANE.</p> <p>REFER TO THE OWNER'S MANUAL.</p> <p>KEEP AT LEAST 3 WRAPS OF LOAD LINE ON THE DRUM AT ALL TIMES.</p>
3500 LBS	6000 LBS	

DEDUCTIONS FROM RATED LOADS FOR LOAD HANDLING DEVICES SUPPLIED BY MANITEX

OVERHAUL WEIGHT —————	40 LBS
SNATCH BLOCK —————	40 LBS
2-MANBASKET SLR PLATFORM —————	700 LBS

WARNING

1. THE OPERATOR MUST READ AND UNDERSTAND THE OWNER'S MANUAL BEFORE OPERATING THIS CRANE.
2. POSITIONING OR OPERATION OF CRANE BEYOND AREAS SHOWN ON THIS CHART IS NOT INTENDED OR APPROVED EXCEPT WHERE SPECIFIED IN OWNER'S MANUAL.
3. LOADED BOOM ANGLES AT SPECIFIED BOOM LENGTHS GIVE ONLY AN APPROXIMATION OF THE OPERATING RADIUS. THE BOOM ANGLE BEFORE LOADING SHOULD BE GREATER TO ACCOUNT FOR DEFLECTIONS. DO NOT EXCEED THE OPERATING RADIUS FOR RATED LOADS.
4. FOR BOOM ANGLES NOT SHOWN ON LOAD RATING CHART, USE RATING OF NEXT LOWER BOOM ANGLE.
5. FOR BOOM LENGTHS NOT SHOWN, USE RATING OF NEXT SHORTER OR LONGER BOOM LENGTH, WHICHEVER IS LESS. FOR RADII NOT SHOWN, USE RATING OF NEXT LONGER RADIUS.
6. CRANE LOAD RATINGS ON OUTRIGGERS ARE BASED ON FREELY SUSPENDED LOADS WITH THE MACHINE LEVELED AND STANDING ON A FIRM UNIFORM SUPPORTING SURFACE. NO ATTEMPT SHALL BE MADE TO MOVE A LOAD HORIZONTALLY ON THE GROUND IN ANY DIRECTION.
7. PRACTICAL WORKING LOADS DEPEND ON SUPPORTING SURFACE, WIND, AND OTHER FACTORS AFFECTING STABILITY SUCH AS HAZARDOUS SURROUNDINGS, EXPERIENCE OF PERSONNEL, AND PROPER HANDLING, ALL OF WHICH MUST BE TAKEN INTO ACCOUNT BY THE OPERATOR.
8. THE MAXIMUM LOAD WHICH MAY BE TELESKOPED IS LIMITED BY HYDRAULIC PRESSURE, BOOM ANGLE, AND BOOM LUBRICATION. IT IS SAFE TO ATTEMPT TO TELESCOPE ANY LOAD WITHIN THE LIMITS OF THE LOAD RATING CHART.

INFORMATION

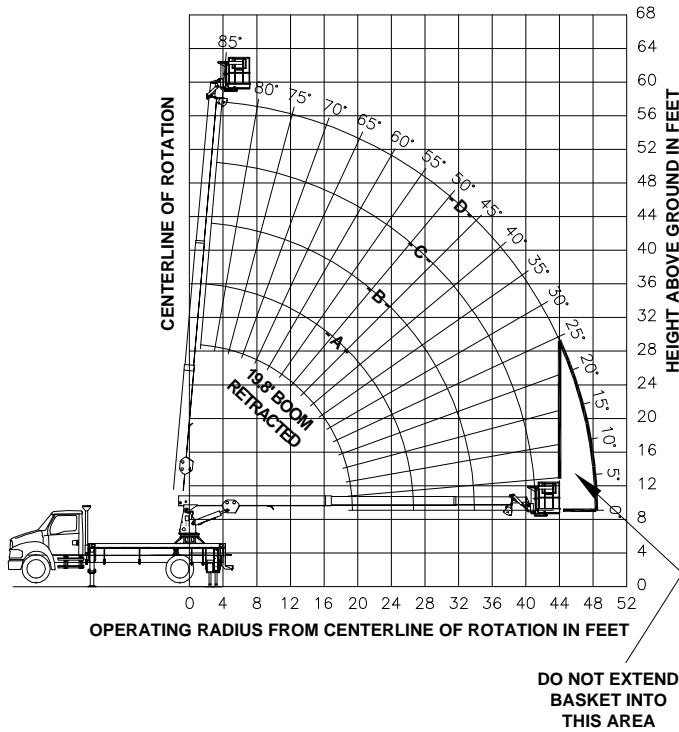
1. DEDUCTIONS MUST BE MADE FROM RATED LOADS FOR OPTIONAL ATTACHMENTS, HOOKS, AND LOADBLOCKS (SEE DEDUCTION CHART). WEIGHTS OF SLINGS AND ALL OTHER LOAD HANDLING DEVICES SHALL BE CONSIDERED A PART OF THE LOAD.
2. CRANE LOAD RATINGS WITH OUTRIGGERS ARE BASED ON OUTRIGGERS AND STABILIZERS EXTENDED AND SET WITH MACHINE LEVELED.
3. LOAD RATINGS ABOVE THE HEAVY LINE ARE STRUCTURALLY LIMITED CAPACITIES. LOAD RATINGS BELOW THE HEAVY LINE ARE STABILITY LIMITED CAPACITIES AND DO NOT EXCEED 85% OF TIPPING.

DEFINITIONS

1. OPERATING RADIUS IS THE HORIZONTAL DISTANCE FROM THE AXIS OF ROTATION TO THE CENTER OF THE VERTICAL HOIST LINE OR TACKLE WITH LOAD APPLIED.
2. LOADED BOOM ANGLE AS SHOWN IN THE COLUMN HEADED BY \angle , IS THE INCLUDED ANGLE BETWEEN THE HORIZONTAL AND LONGITUDINAL AXES OF THE BOOM BASE AFTER LIFTING RATED LOAD AT RATED RADIUS.

MODEL SC65

SELF LEVELING ROTATING (SLR) PERSONNEL PLATFORM RANGE DIAGRAM



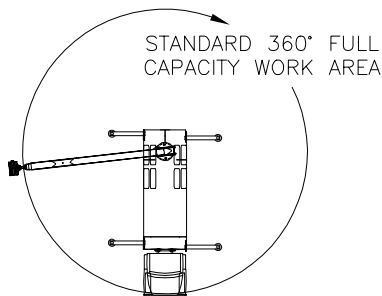
! DANGER

**FAILURE TO READ, UNDERSTAND AND OBEY
THE FOLLOWING INSTRUCTIONS CAN RESULT IN
DEATH OR SERIOUS INJURY**

**MAXIMUM ALLOWABLE PLATFORM
CAPACITY IS 600 LBS.**

1. FOR CRANE STABILITY, LEVEL CRANE BY PROPERLY EXTENDING OUTRIGGERS ON A FIRM SURFACE. CRANE TIRES MUST BE JUST TOUCHING SURFACE.
2. THE MAXIMUM ALLOWABLE PLATFORM CAPACITY INCLUDES PERSONNEL, TOOLS, LOAD SUSPENDED FROM THE JIB WINCH OR ANY OTHER EXTERNAL WEIGHT.
THE MAXIMUM ALLOWABLE PLATFORM CAPACITY MUST NEVER BE EXCEEDED. LOADS IN EXCESS OF THE MAXIMUM ALLOWABLE PLATFORM CAPACITY WILL AFFECT THE CRANE STABILITY OR STRUCTURAL INTEGRITY AND MAY CAUSE A FALL RESULTING IN DEATH OR SERIOUS INJURY.
3. ALWAYS USE BODY BELTS AND LANYARDS WHEN USING ANY PERSONNEL PLATFORM. FASTEN LANYARD HOOK TO BOOM TIP OR JIB ANCHOR POINT PROVIDED.
4. ALWAYS REMOVE OVERHAUL BALL OR SNATCH BLOCK AND SECURE LOAD LINE AT BOOM BASE ATTACHMENT BEFORE USING ANY PERSONNEL PLATFORM.
5. ANY PERSONNEL PLATFORM ON THIS MACHINE DOES NOT PROVIDE PROTECTION FROM CONTACT WITH OR PROXIMITY TO ELECTRICALLY CHARGED CONDUCTORS. DEATH OR SERIOUS INJURY WILL OCCUR IF ADEQUATE CLEARANCE IS NOT MAINTAINED.
REFER TO OPERATORS MANUAL FOR MINIMUM CLEARANCE REQUIRED BETWEEN ANY PART OF THE BOOM OR PLATFORM AND THE POWER LINE.
6. WHEN LOADING OR UNLOADING ANY PERSONNEL, FULLY RETRACT THE BOOM AT ANY ANGLE ABOVE 0 DEGREES, LOWER THE BOOM TO -15 DEGREES AND EXTEND THE BOOM UNTIL PLATFORM IS CLOSE TO GROUND.

**AREA OF
OPERATION**



**Manitex
SkyCrane**

CRANE MEETS ANSI A92.2 REQUIREMENTS