

**NEW!**



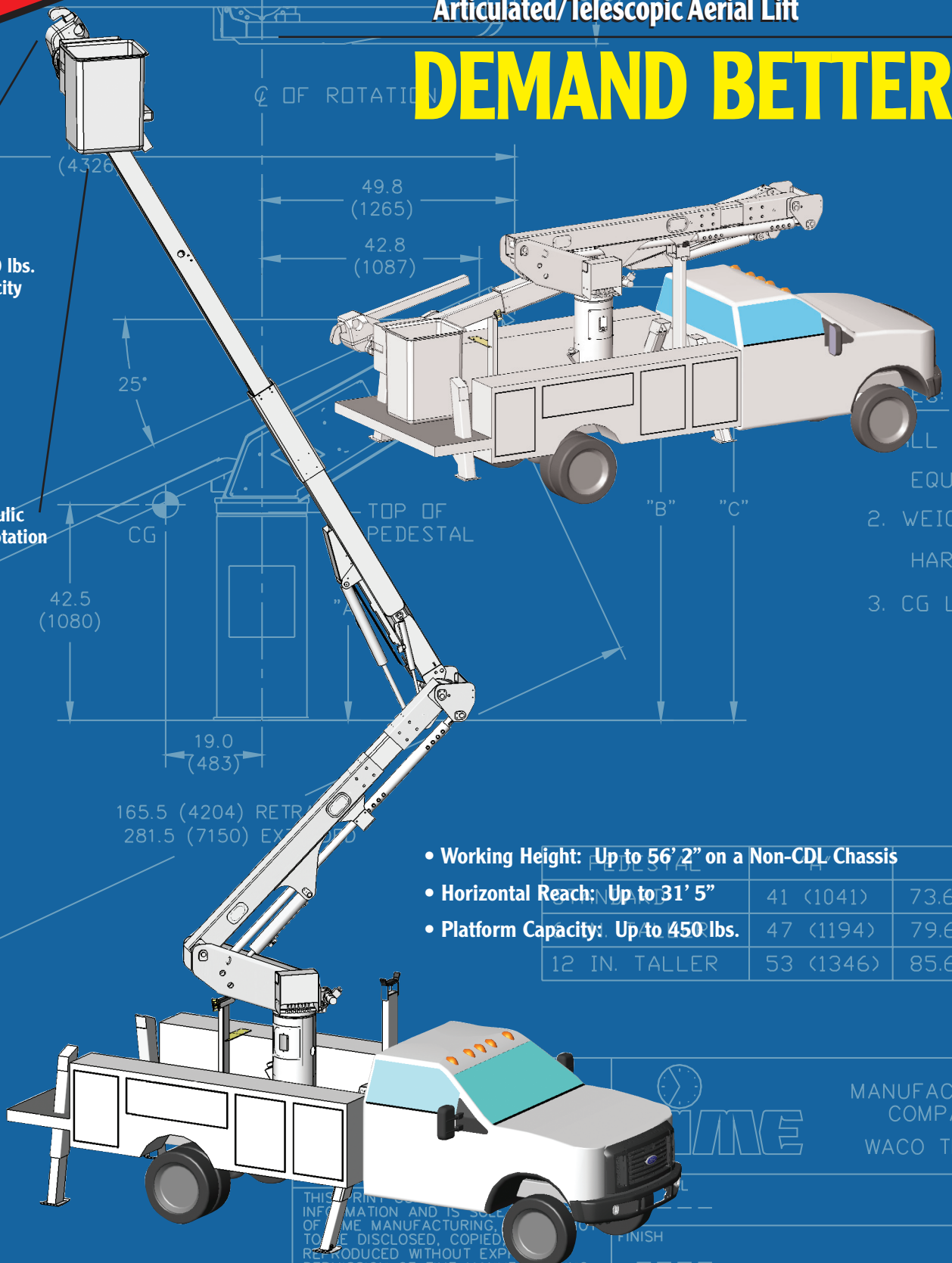
# VST-36/40/47/52-SI

Articulated/Telescopic Aerial Lift

## DEMAND BETTER

Up to 1,000 lbs. of Jib Capacity

100° Hydraulic Platform Rotation



• Working Height: Up to 56' 2" on a Non-CDL Chassis

• Horizontal Reach: Up to 31' 5"

• Platform Capacity: Up to 450 lbs.

| RETRACTED | EXTENDED    | HEIGHT      |
|-----------|-------------|-------------|
| 41 (1041) | 73.6 (1844) | 73.6 (1844) |
| 47 (1194) | 79.6 (2028) | 79.6 (2028) |
| 53 (1346) | 85.6 (2173) | 85.6 (2173) |



For more information about the All-New VST-SI series or any of the other outstanding VERSALIFT machines, contact your authorized VERSALIFT Distributor or call 1.800.825.1085



# VST-36/40/47/52-SI

## Articulated/Telescopic Aerial Lift

### GENERAL SPECIFICATIONS

(Based on 40" frame)

|                       | VST-36-SI | VST-40-SI | VST-47-SI | VST-52-SI |
|-----------------------|-----------|-----------|-----------|-----------|
| Horizontal reach      | 26'-10"   | 30'-10"   | 31'-5"    | 31'-0"    |
| Max platform capacity | 450 lbs.  | 450 lbs.  | 400 lbs.  | 400 lbs.  |
| Platform rotation     | 100°      | 100°      | 100°      | 100°      |
| Max jib capacity      | 1000 lbs. | 1000 lbs. | 1000 lbs. | 1000 lbs. |

### HEIGHTS WITH STANDARD PEDESTAL

|                      | VST-36-SI | VST-40-SI | VST-47-SI | VST-52-SI |
|----------------------|-----------|-----------|-----------|-----------|
| Bottom of platform   | 36'-0"    | 40'-0"    | 46'-6"    | 51'-2"    |
| Working height       | 41'-0"    | 45'-0"    | 51'-6"    | 56'-2"    |
| Stowed travel height | 10'-6"    | 10'-6"    | 11'-0"    | 11'-6"    |

### BOOM ACTION

|                               | VST-36-SI   | VST-40-SI   | VST-47-SI   | VST-52-SI   |
|-------------------------------|-------------|-------------|-------------|-------------|
| Outer/Inner boom articulation | -25 to +85° | -25 to +85° | -25 to +85° | -25 to +85° |
| Inner boom extension          | 79"         | 103"        | 103"        | 53"         |
| Lower boom articulation       | 87°         | 87°         | 84°         | 84°         |
| Rotation                      | 360°        | 360°        | 360°        | 360°        |

### INSULATION

|                           | VST-36-SI | VST-40-SI | VST-47-SI | VST-52-SI |
|---------------------------|-----------|-----------|-----------|-----------|
| Upper boom insulation gap | 41"       | 41"       | 59"       | 59"       |
| Lower boom insulation gap | 12"       | 12"       | 12"       | 12"       |

### VEHICLE REQUIREMENTS

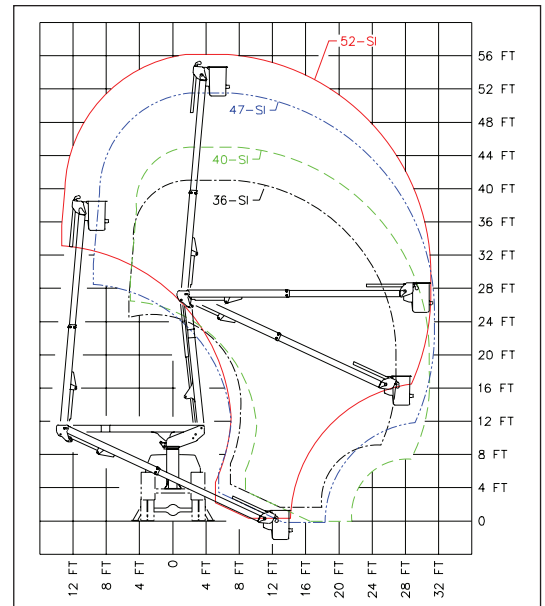
|                       | VST-36-SI   | VST-40-SI   | VST-47-SI   | VST-52-SI   |
|-----------------------|-------------|-------------|-------------|-------------|
| Cab to axle (minimum) | 84"         | 84"         | 84"         | 102"        |
| GVWR                  | 17,500 lbs. | 17,500 lbs. | 17,500 lbs. | 24,000 lbs. |

#### NOTE:

1. Specifications may vary without prior notification.
2. Required GVWR can vary significantly with chassis, lift mounting location, service body, accessories, and desired payload.



- Auxiliary Outriggers
- Second Set of Tool Power Ports
- Lifting Eye
- Emergency Power
- Two-Speed Manual Throttle Control
- Hydraulic Jib Pole Extension
- Various Pedestal Heights



  
**TIME**  
 MANUFACTURING COMPANY  
 P.O. Box 20368  
 Waco, TX 76702-0368  
 254.399.2100  
 Fax: 254.399.2651  
 1.800.825.1085  
 www.timemfg.com