

**NEW!**



# VST-36/40-N

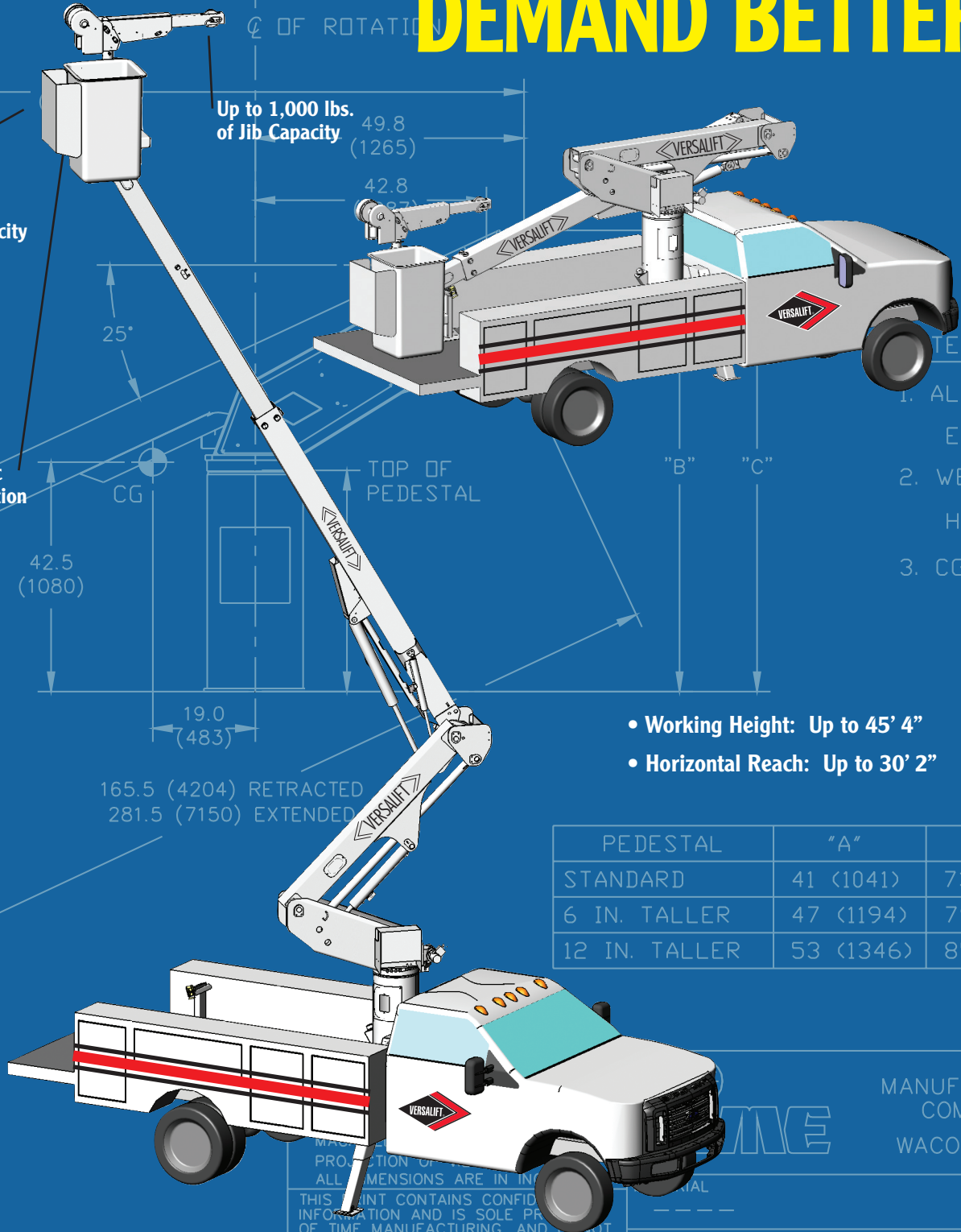
Articulated/Telescopic Aerial Lift

## DEMAND BETTER

Up to 600 lbs.  
Platform Capacity  
w/out Jib

Up to 1,000 lbs.  
of Jib Capacity

180° Hydraulic  
Platform Rotation



- Working Height: Up to 45' 4"
- Horizontal Reach: Up to 30' 2"

PEDESTAL	"A"	"B"
STANDARD	41 (1041)	73.6 (1870)
6 IN. TALLER	47 (1194)	79.6 (2027)
12 IN. TALLER	53 (1346)	85.6 (2163)



For more information about the All-New VST-N series or any of the other outstanding VERSALIFT machines, contact your authorized VERSALIFT Distributor or call 1.800.825.1085

THIS DOCUMENT CONTAINS CONFIDENTIAL INFORMATION AND IS SOLE PROPERTY OF TIME MANUFACTURING, AND IS NOT TO BE DISCLOSED, COPIED, OR REPRODUCED WITHOUT EXPRESSED PERMISSION OF TIME MANUFACTURING.

FINISH

MANUFACTURED BY  
TIME MANUFACTURING COMPANY  
WACO, TEXAS



# VST-36/40-N

## Articulated/Telescopic Aerial Lift

### GENERAL SPECIFICATIONS

(Based on 40" frame)

	VST-36-N	VST-40-N
Horizontal reach	26'-2" (8.0 m)	30'-2" (9.2 m)
Max platform capacity	600 lbs (272 kg)	600 lbs (272 kg)
Platform Rotation	180°	180°
Max jib capacity	1000 lbs (454 kg)	1000 lbs (454 kg)

### HEIGHTS WITH STANDARD PEDESTAL

	VST-36-N	VST-40-N
Bottom of platform height	36'-4" (11.1 m)	40'-4" (12.3 m)
Working height	41'-4" (12.6 m)	45'-4" (13.8 m)
Stowed travel height	10'-6" (3.2 m)	10'-6" (3.2 m)

### BOOM ACTION

	VST-36-N	VST-40-N
Outer/Inner boom articulation	-25 to +85°	-25 to +85°
Inner boom extension	79" (2.0 m)	103" (2.6 m)
Lower boom articulation	0 to 87°	0 to 87°
Rotation	360°	360°

### VEHICLE REQUIREMENTS

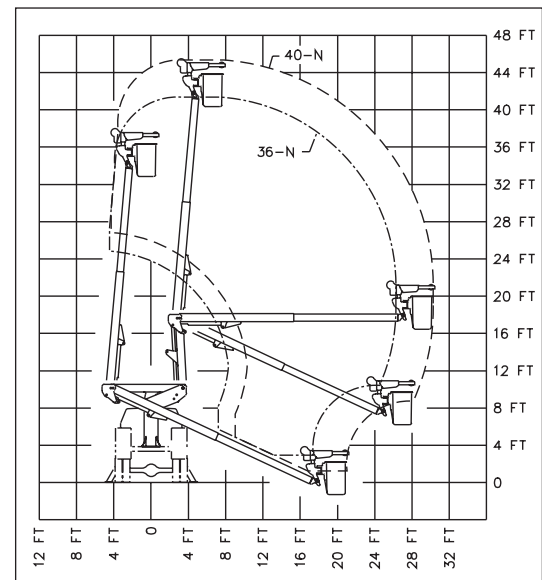
	VST-36-N	VST-40-N
Cab to axle (minimum)	60" (1.5 m)	84" (2.14 m)
GVWR	17,500 lbs. (7,940 kg)	17,500 lbs. (7,940 kg)

#### NOTE:

- Specifications may vary without prior notification.
- Required GVWR can vary significantly with chassis, lift mounting location, service body, accessories, and desired payload.

### OPTIONS

- Auxiliary Outriggers
- Second Set of Tool Power Ports
- Lifting Eye
- Emergency Power
- Two-Speed Manual Throttle Control
- Various Pedestal Heights
- Hydraulic Jib/Winch (Reduces Platform Capacity 100 lbs.)
- Unitrol H.R.



  
**TIME**  
 MANUFACTURING COMPANY  
 P.O. Box 20368  
 Waco, TX 76702-0368  
 254.399.2100  
 Fax: 254.399.2651  
 1.800.825.1085  
 www.timemfg.com